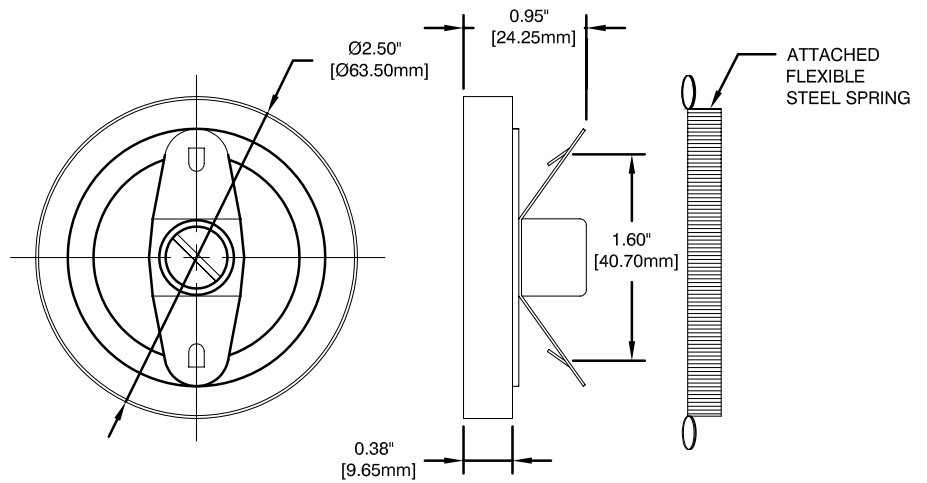


# CLAMP-ON THERMOMETER MODEL TCL250

Illustrated model: TCL250-08



## Specifications

Case:	Zinc plated steel with spring attachment
Dial:	2 1/2 in (63 mm) white aluminum, graduations °F in black and °C in blue
Ring:	Steel chrome plated
Lens:	Acrylic
Pointer:	Aluminum painted black
Movement:	Bimetallic coil
Stem:	Brass surface with zero reset
Ambient temperature:	-40 to 250°F / -40 to 121°C
Operating temperature:	Maximum 75 % of full scale value
Accuracy:	ASME B40.200(B40.3), Grade A ± 1 % CAN/CGSB - 14.4

## Applications

Easy installation allows for rapid reading of surface temperature on piping and HVAC conduits. For the plumbing and industrial sectors.

To order, use the code in the corresponding column

Range	Product code
30 to 240°F / 0 to 115°C	TCL250-03
-40 to 110°F / -40 to 40°C	TCL250-08