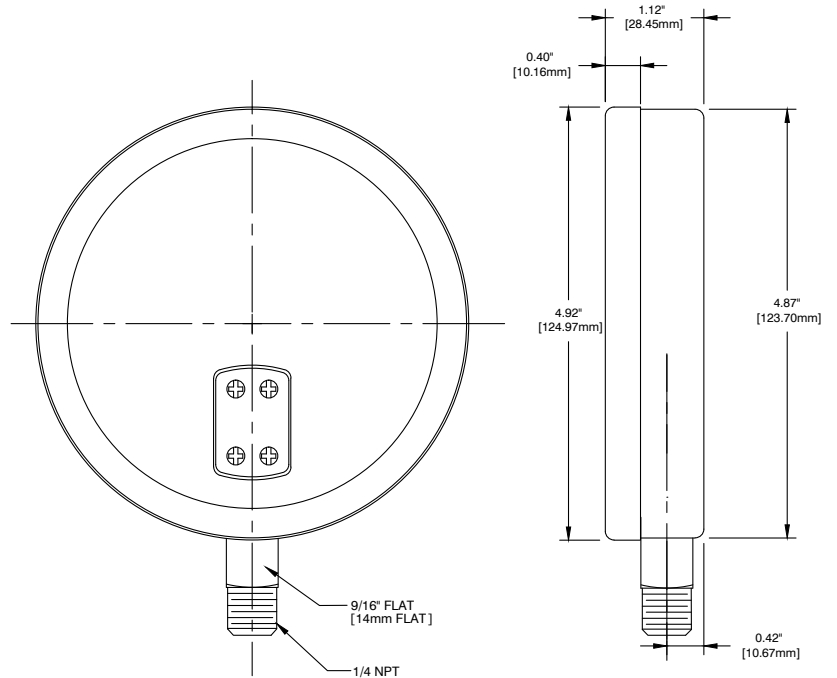


## CONTRACTOR GAUGE MODEL 450CB

Illustrated model: 450CB



### Specifications

Case:	4 ½ in (115 mm), 304 stainless steel
Dial:	White aluminum, psi graduations in black, kPa graduations in blue
Ring:	304 stainless steel
Lens:	Polycarbonate
Pointer:	Anodized black aluminum, recalibrator screw
Connection:	¼ in nptm bottom mount
Wetted parts:	Brass
Bourdon tube:	Phosphor bronze
Operating pressure:	Maximum 75 % of full scale value
Overpressure limit:	25 % over full scale value
Maximum process and ambient temperature:	-40 to 150°F / -40 to 65°C
Accuracy:	ASME B40.100(B40.1), Grade 1A ± 1 %

### Applications

Equipment manufacturers, plumbing, HVAC and mechanical contractors.

**INDUSTRIAL GAUGE 4 1/2 in**

MODEL 450CB

To order, use the code in the corresponding column

<b>Size</b>	<b>4 1/2 in (115 mm)</b>
<b>Case</b>	<b>304 stainless steel</b>
<b>Connection</b>	<b>1/4 in nptm brass bottom</b>
<b>Range</b>	
-30 in Hg to 0 vac/kPa	450CB01
-30 in Hg to 15 psi/kPa	450CB02
-30 in Hg to 30 psi/kPa	450CB03
-30 in Hg to 60 psi/kPa	450CB04
-30 in Hg to 100 psi/kPa	450CB05
-30 in Hg to 160 psi/kPa	450CB06
-30 in Hg to 200 psi/kPa	450CB07
-30 in Hg to 300 psi/kPa	450CB08
0 to 15 psi/kPa	450CB09
0 to 30 psi/kPa	450CB10
0 to 60 psi/kPa	450CB11
0 to 100 psi/kPa	450CB12
0 to 160 psi/kPa	450CB13
0 to 200 psi/kPa	450CB14
0 to 300 psi/kPa	450CB15
0 to 400 psi/kPa	450CB23
0 to 600 psi/kPa	450CB16
0 to 1,000 psi/kPa	450CB17
0 to 1,500 psi/kPa	450CB18
0 to 2,000 psi/kPa	450CB22
0 to 3,000 psi/kPa	450CB19
0 to 5,000 psi/kPa	450CB20