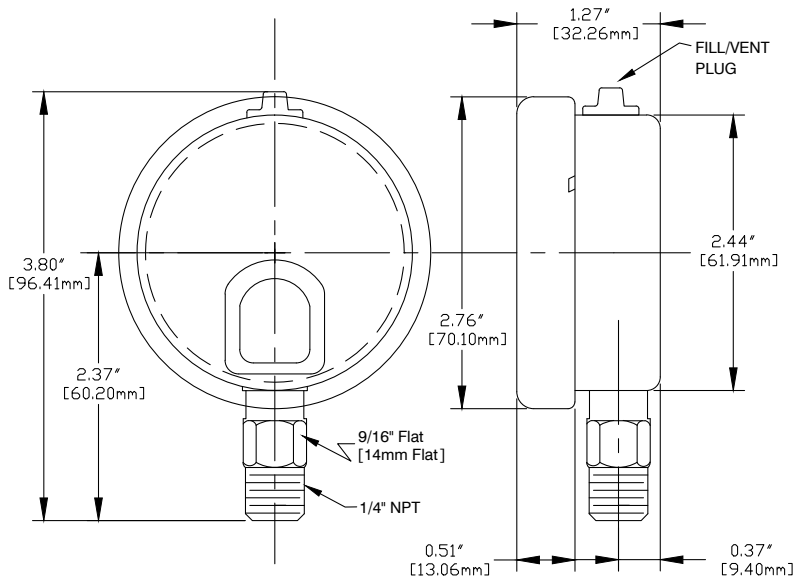
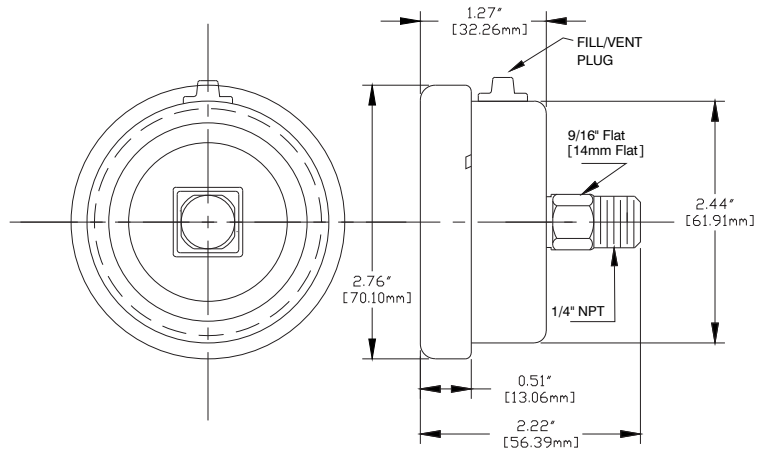


OPTIMUM GLYCERIN FILLED GAUGE MODELS Q250SP AND Q251SP

Illustrated model: Q250SP



Illustrated model: Q251SP



Specifications

Case:	304 stainless steel with open/close lever style fill plug
Dial:	White aluminum with psi graduations in black and kPa in blue
Ring:	304 stainless steel bayonet style
Lens:	Polycarbonate
Pointer:	Anodized black aluminum
Connection:	1/4 in nptm bottom or center back
Wetted Parts:	Brass
Bourdon tube:	Phosphor bronze
Maximum process and ambient temperatures:	-40 to 150°F / -40 to 65°C dry 32 to 160°F / 0 to 70°C glycerin filled
Operating pressure:	Maximum 75 % of the full scale value
Overpressure limit:	25 % over full scale value
Accuracy:	ASME B40.100(B40.1), Grade B ± 2 %

Applications

Superior quality multiple purpose pressure gauge: pneumatics, hydraulics, plumbing, HVAC, compressors, pumps, pools etc.

OPTIMUM GLYCERIN FILLED GAUGE

MODELS Q250SP AND Q251SP

To order, use the code in the corresponding column

Size	2 1/2 in (63 mm)	
Case	304 stainless steel	
Connection	1/4 in nptm	
	bottom brass	center back brass
Ring	bayonet	
Range		
-30 in Hg to 0 vac/kPa	Q250SP-01	Q251SP-01
-30 in Hg to 15 psi/kPa	Q250SP-02	Q251SP-02
-30 in Hg to 30 psi/kPa	Q250SP-03	Q251SP-03
-30 in Hg to 60 psi/kPa	Q250SP-04	Q251SP-04
-30 in Hg to 100 psi/kPa	Q250SP-05	Q251SP-05
-30 in Hg to 160 psi/kPa	Q250SP-06	Q251SP-06
-30 in Hg to 200 psi/kPa	Q250SP-07	Q251SP-07
-30 in Hg to 300 psi/kPa	Q250SP-08	Q251SP-08
0 to 15 psi/kPa	Q250SP-09	Q251SP-09
0 to 30 psi/kPa	Q250SP-10	Q251SP-10
0 to 60 psi/kPa	Q250SP-11	Q251SP-11
0 to 100 psi/kPa	Q250SP-12	Q251SP-12
0 to 160 psi/kPa	Q250SP-13	Q251SP-13
0 to 200 psi/kPa	Q250SP-14	Q251SP-14
0 to 300 psi/kPa	Q250SP-15	Q251SP-15
0 to 400 psi/kPa	Q250SP-23	Q251SP-23
0 to 600 psi/kPa	Q250SP-16	Q251SP-16
0 to 1,000 psi/kPa	Q250SP-17	Q251SP-17
0 to 1,500 psi/kPa	Q250SP-18	Q251SP-18
0 to 2,000 psi/kPa	Q250SP-22	Q251SP-22
0 to 3,000 psi/kPa	Q250SP-19	Q251SP-19
0 to 5,000 psi/kPa	Q250SP-20	Q251SP-20
0 to 10,000 psi/kPa	Q250SP-21	Q251SP-21
0 to 15,000 psi/kPa	Q250SP-26	Q251SP-26