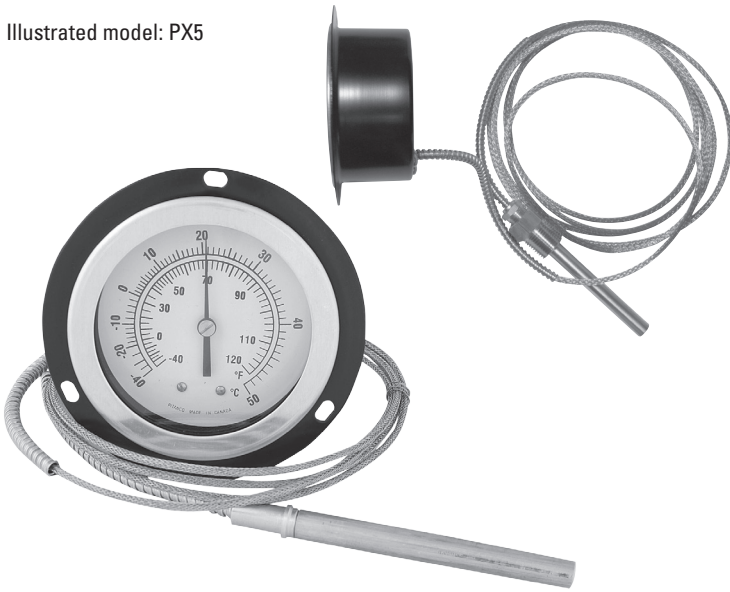


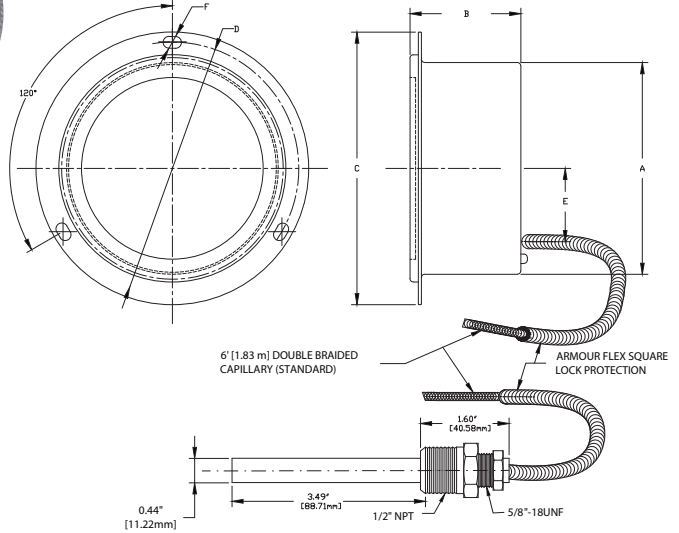
REMOTE READING THERMOMETER MANUFACTURED AT OUR PLANT MODELS PX5 AND PX8

Illustrated model: PX5



Model PX5: Front flange for panel mount, lower back capillary outlet

Model PX8: U-clamp for panel mount, without visible screws, lower back capillary outlet



Specifications

Case:	Spinning steel, painted black, front flange for PX5, U-clamp for PX8
Dial:	White aluminum, black graduations °F inner °C outer
Ring:	Recessed aluminum
Lens:	Glass, lexan optional
Pointer:	Anodised aluminum black, adjustable
Bulb and connection:	Bulb 3.49 in (88.7 mm) long x 7/16 in (11.2 mm) Ø, fittings 5/8 - 18 UNF and 5/8 - 18 UNF x 1/2 in nptm
Movement:	Brass
Capillary:	6 feet (1.83 m) double braided copper standard, maximum 75 feet (22.86 m)
Accuracy:	ASME B40.200(B40.4), Grade A ± 1 % CAN/CGSB - 14.4

Applications

Models PX5 and PX8 are vapour actuated (for distances up to 75 feet (22.86 m) between bulb and dial). Temperature changes registered by the capillary tube or casing will not affect the reading. Well available for models TC and PX = WEL-TC400SS316 or WEL-TC400BRASS. See page T19.

REMOTE READING THERMOMETER MANUFACTURED AT OUR PLANT (CONTINUED)
MODELS PX5 AND PX8

Dimensions as per diagram								
Model	A	B	C	D	E	F	Cut-out	Fixation holes
PX5-3.5	3.82 in (97.03 mm)	2 in (50.8 mm)	4.92 in (124.97 mm)	4.56 in (115.82 mm)	1.31 in (33.25 mm)	0.22 x 0.34 in (5.59 x 8.64 mm)	3.88 in (98.55 mm)	3
PX8-3.5	3.82 in (97.03 mm)	2 in (50.8 mm)	4.40 in (111.76 mm)		1.31 in (33.25 mm)		3.88 in (98.55 mm)	U-Clamp
PX5-4.5	4.72 in (119.88 mm)	1.81 in (45.97 mm)	5.88 in (149.22 mm)	5.38 in (136.52 mm)	1.31 in (33.25 mm)	0.22 x 0.34 in (5.59 x 8.64 mm)	4.75 in (120.65 mm)	3
PX8-4.5	4.72 in (119.88 mm)	1.81 in (45.97 mm)	5.38 in (136.52 mm)		1.31 in (33.25 mm)		4.75 in (120.65 mm)	U-Clamp

To order, use the code in the corresponding column

Size	3 1/2 in (87 mm)		4 1/2 in (115 mm)	
Outlet	lower back			
Connection	1/2 nptm			
Style	front flange	U-clamp	front flange	U-clamp
Range				
0 to 100°F / -15 to 38°C	PX535-30	PX835-30	PX545-30	PX845-30
-40 to 120°F / -40 to 50°C	PX535-31	PX835-31	PX545-31	PX845-31
0 to 160°F / -15 to 70°C	PX535-32	PX835-32	PX545-32	PX845-32
30 to 240°F / 0 to 115°C	PX535-33	PX835-33	PX545-33	PX845-33
50 to 300°F / 10 to 150°C	PX535-34	PX835-34	PX545-34	PX845-34
200 to 450°F / 100 to 235°C	PX535-35	PX835-35	PX545-35	PX845-35

Options

Stainless steel armour flex square lock protection available upon request.
 Well available for models TC and PX = WEL-TC400SS316 or WEL-TC400BRASS. See page T19.