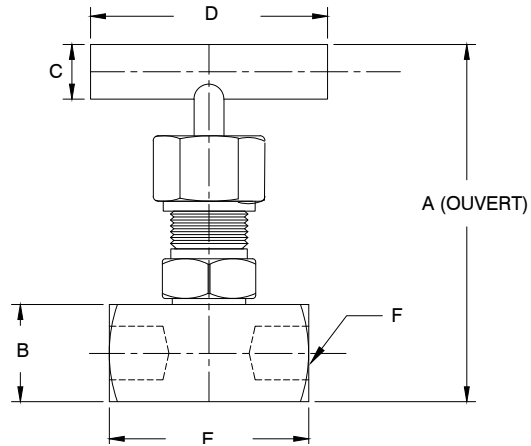
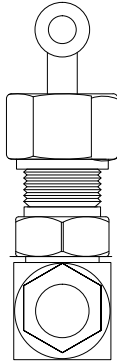
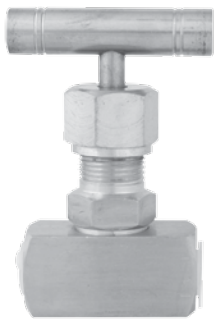
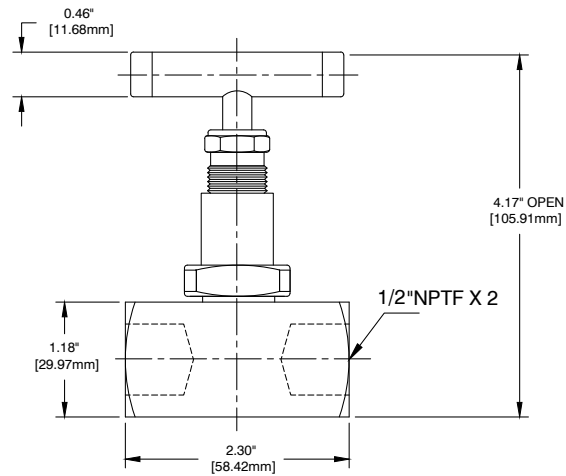
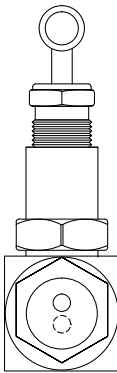
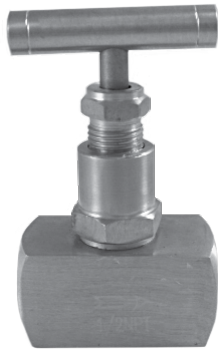


ONE PIECE BRASS OR 316 STAINLESS STEEL NEEDLE VALVE MODELS NVB AND NVSS316

Illustrated model: NV25FFSS316



Illustrated model: NV50FFB



Product code:	NV50FFB	NV25FFSS316	NV50FFSS316	NV75FFSS316	NV100FFSS316
Housing:	One piece brass	One piece 316 stainless steel			
Packing:	Stainless steel	Teflon			
Connection:	½ in nptf x ½ in nptf	¼ in nptf x ¼ in nptf	½ in nptf x ½ in nptf	¾ in nptf x ¾ in nptf	1 in nptf x 1 in nptf
Stem:	Brass	316 stainless steel			
Operating pressure:	0 to 2,000 psi / 13,790 kPa	0 to 6,000 psi / 41,369 kPa			
Operating temperature:	< 300°F / 150°C	< 500°F / 250°C			

Applications

Conical stem which penetrates more or less in an orifice and serves to adjust the flow of a non-corrosive fluid.
It is always recommended to install a mini ball valve or a needle valve on a line before each pressure gauge installation.

Dimensions as per diagram

Modele	A	B	C	D	E	F
NV25FFSS316	3,60 in (91,44 mm)	0,98 in (24,89 mm)	0,55 in (13,97 mm)	2,39 in (60,71 mm)	2,01 in (51,05 mm)	¼ in nptf
NV50FFSS316	4,17 in (105,91 mm)	1,18 in (29,97 mm)	0,46 in (11,68 mm)	2,25 in (57,15 mm)	2,3 in (58,42 mm)	½ in nptf
NV75FFSS316	4 in (101,6 mm)	1,38 in (35,05 mm)	0,47 in (11,94 mm)	2,27 in (57,66 mm)	2,59 in (65,79 mm)	¾ in nptf
NV100FFSS316	4,82 in (122,43 mm)	1,76 in (44,70 mm)	0,62 in (15,75 mm)	3,54 in (89,92 mm)	2,82 in (71,63 mm)	1 in nptf