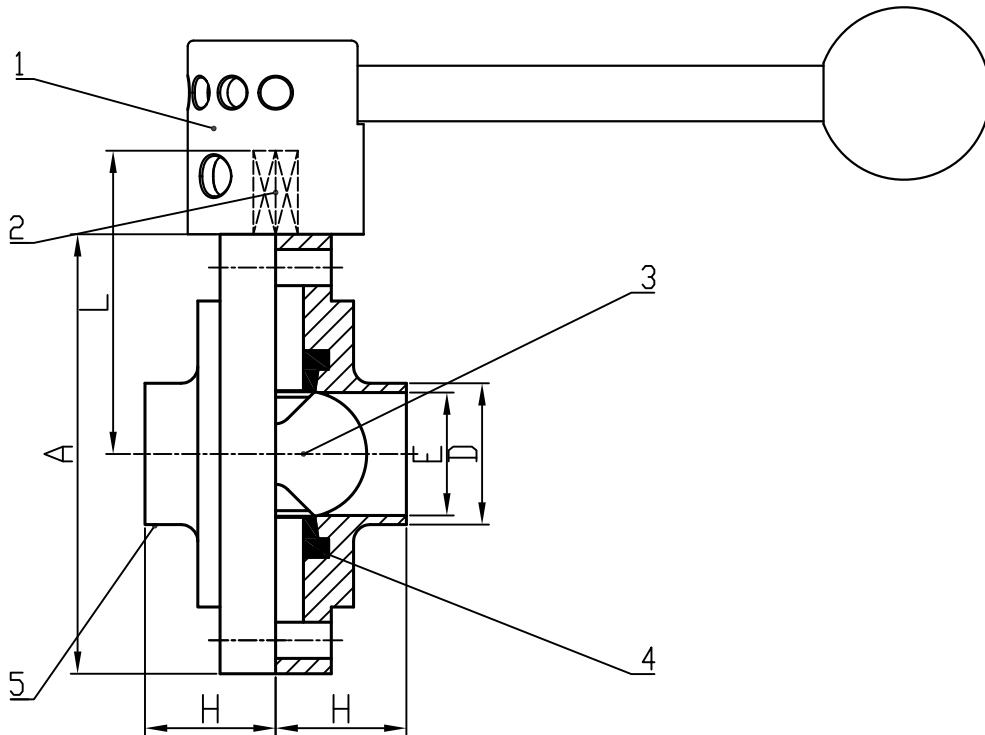


Pull Handle /welded design



SIZE	A	D	E	L	H
1"	79	25.4	22.1	49.5	23.5
1.25"	79	31.8	28.8	49.5	23.5
1.5"	85	38.1	34.8	52.5	23.5
2"	100	50.8	47.5	60	26
2.5"	115	63.5	59.5	67.5	27
3"	127	76.2	72.2	73.5	28
3.5"	140	88.9	84.9	80	29
4"	156	101.6	97.6	88	30

5	Valve Flange		SS316L			
4	Rubber Seat		EPDM/Red Silicone/Transparent Silicone and Viton seat			
3	Disc		SS316L			
2	Disc Shaft		SS316L			
1	Pull handle		SS304			
No.	Name		Material		Note	
Pull Handle/ Welded design		Size: 1" to 4"	DATE	Pitanco		
DESIGN	X. cw					SS316L
CHECKED						
		APPROVED		WEIGHT	A4	
					VP5101	