

Sanitary / SS Products



Support your local businesses!

PITANCO
PRECISION
ISO 9001

www.pitancoprecision.com

191 Brossard, Delson, Quebec J5B 1W9
450 638-5220 • 1 866-688-5220
info@pitancoprecision.com

Sanitary Fittings

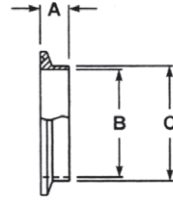


PITANCO
PRECISION

ISO 9001



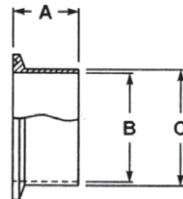
SHORT FERRULES, POLISHED # 7, 3A APPROVED
MODEL SF



TUBE	DRAWING			SERIES # 14WMP Stainless Steel 304	SERIES # 14WMP Stainless Steel 316L
	OD	A	B	C	PART #
0,50"	0,50"	0,37"	0,50"	SF050-304	SF050-316L
0,75"	0,50"	0,62"	0,75"	SF075-304	SF075-316L
1,00"	0,50"	0,87"	1,00"	SF100-304	SF100-316L
1,50"	0,50"	1,37"	1,50"	SF150-304	SF150-316L
2,00"	0,50"	1,87"	2,00"	SF200-304	SF200-316L
2,50"	0,50"	2,37"	2,50"	SF250-304	SF250-316L
3,00"	0,50"	2,87"	3,00"	SF300-304	SF300-316L
4,00"	0,625"	3,834"	4,00"	SF400-304	SF400-316L
6,00"	0,875"	5,782"	6,00"	SF600-304	SF600-316L
8,00"	0,875"	7,76"	8,00"	SF800-304	SF800-316L

Other diameters available upon request.

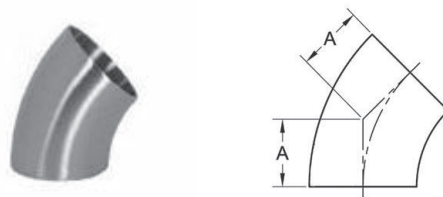
LONG FERRULES, POLISHED # 7, 3A APPROVED
MODEL LF



TUBE	DRAWING			SERIES # 14AMP Stainless Steel 304	SERIES # 14AMP Stainless Steel 316L
	OD	A	B	C	PART #
0,50"	1,125"	0,37"	0,50"	LF050-304	LF050-316L
0,75"	1,125"	0,62"	0,75"	LF075-304	LF075-316L
1,00"	1,125"	0,87"	1,00"	LF100-304	LF100-316L
1,50"	1,125"	1,37"	1,50"	LF150-304	LF150-316L
2,00"	1,125"	1,87"	2,00"	LF200-304	LF200-316L
2,50"	1,125"	2,37"	2,50"	LF250-304	LF250-316L
3,00"	1,125"	2,87"	3,00"	LF300-304	LF300-316L
4,00"	1,125"	3,834"	4,00"	LF400-304	LF400-316L
6,00"	1,500"	5,782"	6,00"	LF600-304	LF600-316L
8,00"	1,500"	7,76"	8,00"	LF800-304	LF800-316L

Other diameters available upon request.

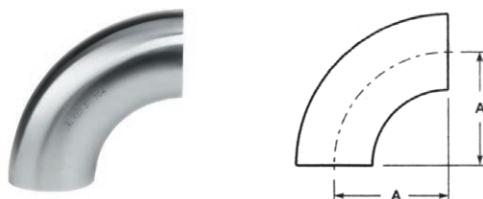
45° ELBOWS, BUTT WELD, POLISHED # 7, 3A APPROVED
MODEL EL45



TUBE	DRAWING		SERIES # B2WK Stainless Steel 304	SERIES # B2WK Stainless Steel 316L
OD	A	Épaisseur du mur	PART #	PART #
0,50"	0,466"	0,065"	EL45-050-304	EL45-050-316L
0,75"	0,466"	0,065"	EL45-075-304	EL45-075-316L
1,00"	0,625"	0,065"	EL45-100-304	EL45-100-316L
1,50"	0,937"	0,065"	EL45-150-304	EL45-150-316L
2,00"	1,250"	0,065"	EL45-200-304	EL45-200-316L
2,50"	1,562"	0,065"	EL45-250-304	EL45-250-316L
3,00"	1,875"	0,065"	EL45-300-304	EL45-300-316L
4,00"	2,500"	0,083"	EL45-400-304	EL45-400-316L
6,00"	3,750"	0,109"	EL45-600-304	EL45-600-316L

Other diameters available upon request.

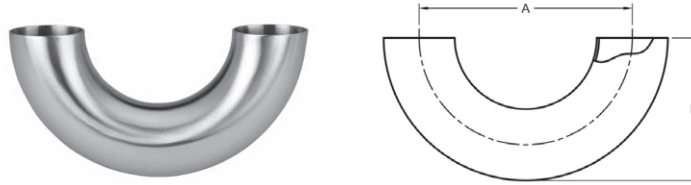
90° ELBOWS, BUTT WELD, POLISHED # 7, 3A APPROVED
MODEL EL90



TUBE	DRAWING		SERIES # B2WC Stainless Steel 304	SERIES # B2WC Stainless Steel 316L
OD	A	Épaisseur du mur	PART #	PART #
0,50"	1,125"	0,065"	EL90-050-304	EL90-050-316L
0,75"	1,125"	0,065"	EL90-075-304	EL90-075-316L
1,00"	1,500"	0,065"	EL90-100-304	EL90-100-316L
1,50"	2,250"	0,065"	EL90-150-304	EL90-150-316L
2,00"	3,000"	0,065"	EL90-200-304	EL90-200-316L
2,50"	3,750"	0,065"	EL90-250-304	EL90-250-316L
3,00"	3,750"	0,065"	EL90-300-304	EL90-300-316L
4,00"	6,000"	0,083"	EL90-400-304	EL90-400-316L
6,00"	9,000"	0,109"	EL90-600-304	EL90-600-316L

Other diameters available upon request.

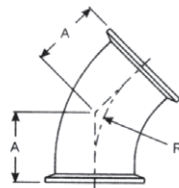
180° ELBOWS, BUTT WELD, POLISHED # 7, 3A APPROVED
MODEL EL180



TUBE	DRAWING			SERIES # B2WUL Stainless Steel 304	SERIES # B2WUL Stainless Steel 316L
OD	A	B	Épaisseur du mur	PART #	PART #
1,00"	3,000"	2,000"	0,065"	EL180-10-304	EL180-10-316L
1,50"	4,500"	3,000"	0,065"	EL180-15-304	EL180-15-316L
2,00"	6,000"	4,000"	0,065"	EL180-20-304	EL180-20-316L
2,50"	7,500"	5,000"	0,065"	EL180-25-304	EL180-25-316L
3,00"	9,000"	6,000"	0,065"	EL180-30-304	EL180-30-316L
4,00"	12,000"	8,000"	0,083"	EL180-40-304	EL180-40-316L

Other diameters available upon request.

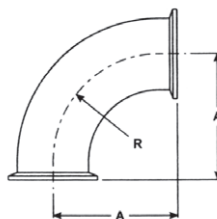
45° ELBOWS, TRI-CLAMP®, POLISHED # 7, 3A APPROVED
MODEL PFCL45



TUBE	DRAWING		SERIES # B2KMP Stainless Steel 304	SERIES # B2KMP Stainless Steel 316L
	OD	A	R	PART #
1"	1,125"	1,50"	PFCL45-10-304	PFCL45-10-316L
1,50"	1,437"	2,25"	PFCL45-15-304	PFCL45-15-316L
2,00"	1,750"	3,00"	PFCL45-20-304	PFCL45-20-316L
2,50"	2,062"	3,75"	PFCL45-25-304	PFCL45-25-316L
3,00"	2,375"	4,50"	PFCL45-30-304	PFCL45-30-316L
4,00"	3,125"	6,00"	PFCL45-40-304	PFCL45-40-316L
6,00"	4,625"	9,00"	PFCL45-60-304	PFCL45-60-316L

Other diameters available upon request.

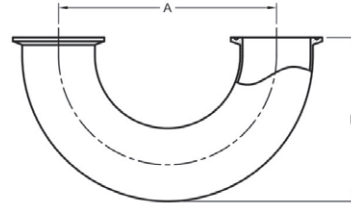
90° ELBOWS, TRI-CLAMP®, POLISHED # 7, 3A APPROVED
MODEL PFCL90



TUBE	DRAWING		SERIES # B2CMP Stainless Steel 304	SERIES # B2CMP Stainless Steel 316L
	OD	A	R	PART #
0,50"	1,625"	1,125"		PFCL90-050-316L
0,75"	1,625"	1,125"		PFCL90-075-316L
1,00"	2,00"	1,50"	PFCL90-10-304	PFCL90-10-316L
1,50"	2,75"	2,25"	PFCL90-15-304	PFCL90-15-316L
2,00"	3,50"	3,00"	PFCL90-20-304	PFCL90-20-316L
2,50"	4,25"	3,75"	PFCL90-25-304	PFCL90-25-316L
3,00"	5,00"	4,50"	PFCL90-30-304	PFCL90-30-316L
4,00"	6,625"	6,00"	PFCL90-40-304	PFCL90-40-316L
6,00"	9,875"	9,00"	PFCL90-60-304	PFCL90-60-316L

Other diameters available upon request.

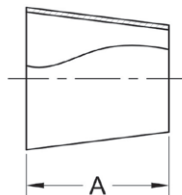
180° RETURN BENDS, TRI-CLAMP®, POLISHED # 7, 3A APPROVED
MODEL PFCL180



TUBE	DRAWING		SERIES # B2WUMP Stainless Steel 304	SERIES # B2WUMP Stainless Steel 316L
	OD	A	B	PART #
1"	3,000"	2,500"	PFCL180-10-304	PFCL180-10-316L
1,50"	4,500"	3,500"	PFCL180-15-304	PFCL180-15-316L
2,00"	6,000"	4,500"	PFCL180-20-304	PFCL180-20-316L
2,50"	7,500"	5,500"	PFCL180-25-304	PFCL180-25-316L
3,00"	9,000"	6,500"	PFCL180-30-304	PFCL180-30-316L
4,00"	12,000"	8,625"	PFCL180-40-304	PFCL180-40-316L

Other diameters available upon request.

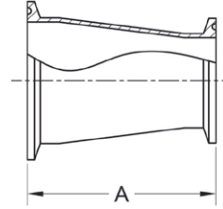
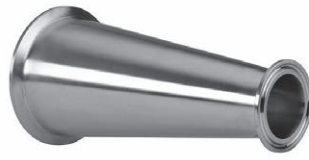
**CONCENTRIC REDUCERS, BUTT WELD, POLISHED # 7, 3A APPROVED
MODEL CR31W**



TUBE		DRAWING	SERIES # B31W Stainless Steel 304	SERIES # B31W Stainless Steel 316L
OD	A	PART #	PART #	PART #
1 x 0,5"	1,000"	CR31W-10-050-4		
1 x 0,75"	1,000"	CR31W-10-075-4		
1,5 x 1"	2,000"	CR31W-15-10-4		CR31W-15-10-6
2 x 1"	4,000"	CR31W-20-10-4		CR31W-20-10-6
2 x 1,5"	2,000"	CR31W-20-15-4		CR31W-20-15-6
2,5 x 1"	6,000"	CR31W-25-10-4		CR31W-25-10-6
2,5 x 1,5"	4,000"	CR31W-25-15-4		CR31W-25-15-6
2,5 x 2"	2,000"	CR31W-25-20-4		CR31W-25-20-6
3 x 1"	8,000"	CR31W-30-10-4		CR31W-30-10-6
3 x 1,5"	6,000"	CR31W-30-15-4		CR31W-30-15-6
3 x 2"	4,000"	CR31W-30-20-4		CR31W-30-20-6
3 x 2,5"	2,000"	CR31W-30-25-4		CR31W-30-25-6
4 x 1"	12,000"	CR31W-40-10-4		CR31W-40-10-6
4 x 1,5"	10,000"	CR31W-40-15-4		CR31W-40-15-6
4 x 2"	8,000"	CR31W-40-20-4		CR31W-40-20-6
4 x 2,5"	6,000"	CR31W-40-25-4		CR31W-40-25-6
4 x 3"	4,000"	CR31W-40-30-4		CR31W-40-30-6
6 x 4"	5,500"	CR31W-60-40-4		

Other diameters available upon request.

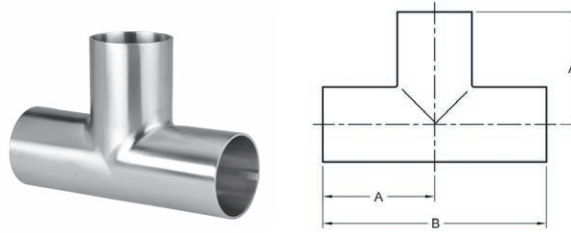
**CONCENTRIC REDUCERS, TRI-CLAMP®, POLISHED # 7, 3A APPROVED
MODEL 3114MP**



TUBE	DRAWING	SERIES # B3114MP Stainless Steel 304	SERIES # B3114MP Stainless Steel 316L
OD	A	PART #	PART #
1,5 x 1"	2,000"	3114MP-15-10-4	3114MP-15-10-6
2 x 1"	4,000"	3114MP-20-10-4	3114MP-20-10-6
2 x 1,5"	2,000"	3114MP-20-15-4	3114MP-20-15-6
2,5 x 1"	7,000"	3114MP-25-10-4	3114MP-25-10-6
2,5 x 1,5"	4,000"	3114MP-25-15-4	3114MP-25-15-6
2,5 x 2"	2,000"	3114MP-25-20-4	3114MP-25-20-6
3 x 1"	9,000"	3114MP-30-10-4	3114MP-30-10-6
3 x 1,5"	7,000"	3114MP-30-15-4	3114MP-30-15-6
3 x 2"	4,000"	3114MP-30-20-4	3114MP-30-20-6
3 x 2,5"	2,000"	3114MP-30-25-4	3114MP-30-25-6
4 x 1"	13,000"	3114MP-40-10-4	3114MP-40-10-6
4 x 1,5"	11,125"	3114MP-40-15-4	3114MP-40-15-6
4 x 2"	8,000"	3114MP-40-20-4	3114MP-40-20-6
4 x 2,5"	7,125"	3114MP-40-25-4	3114MP-40-25-6
4 x 3"	4,000"	3114MP-40-30-4	3114MP-40-30-6
6 x 4"	7,000"	3114MP-60-40-4	

Other diameters available upon request.

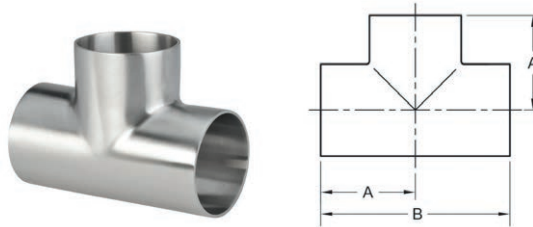
LONG TEES, BUTT WELD, POLISHED # 7, 3A APPROVED
MODEL LTB7W



TUBE	DRAWING		SERIES # B7W Stainless Steel 304	SERIES # B7W Stainless Steel 316L
	OD	A	B	PART #
0,50"	1,875"	3,750"		LTB7W-050-316L
0,75"	2,000"	4,000"		LTB7W-075-316L
1,00"	1,875"	3,750"	LTB7W-100-304	LTB7W-100-316L
1,50"	2,250"	4,500"	LTB7W-150-304	LTB7W-150-316L
2,00"	3,000"	6,000"	LTB7W-200-304	LTB7W-200-316L
2,50"	3,000"	6,000"	LTB7W-250-304	LTB7W-250-316L
3,00"	3,250"	6,500"	LTB7W-300-304	LTB7W-300-316L
4,00"	3,875"	7,750"	LTB7W-400-304	LTB7W-400-316L
6,00"	5,625"	11,250"	LTB7W-600-304	LTB7W-600-316L

Other diameters available upon request.

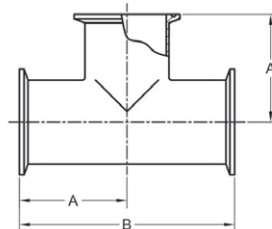
SHORT TEES, BUTT WELD, POLISHED # 7, 3A APPROVED
MODEL STB7WWW



TUBE	DRAWING		SERIES # B7WWW Stainless Steel 304
	OD	A	B
0,50"			
0,75"			
1,00"	1,125"	2,250"	STB7WWW-100-304
1,50"	1,656"	3,312"	STB7WWW-150-304
2,00"	2,063"	4,125"	STB7WWW-200-304
2,50"	2,344"	4,688"	STB7WWW-250-304
3,00"	2,594"	5,188"	STB7WWW-300-304
4,00"	3,438"	6,875"	STB7WWW-400-304
6,00"	5,625"	11,250"	STB7WWW-600-304
8,00"			

Other diameters available upon request.

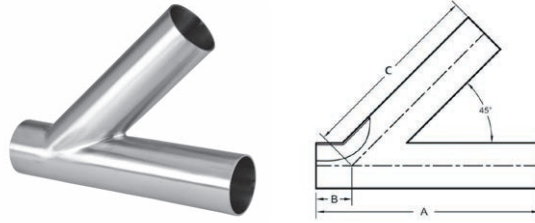
LONG TEES, TRI-CLAMP®, POLISHED # 7, 3A APPROVED
MODEL LTB7MP



TUBE	DRAWING		SERIES # B7MP Stainless Steel 304	SERIES # B7MP Stainless Steel 316L
OD	A	B	PART #	PART #
0,50"	2,375"	4,750"		LTB7MP-050-316L
0,75"	2,500"	5,000"		LTB7MP-075-316L
1,00"	2,375"	4,750"	LTB7MP-100-304	LTB7MP-100-316L
1,50"	2,750"	5,500"	LTB7MP-150-304	LTB7MP-150-316L
2,00"	3,500"	7,000"	LTB7MP-200-304	LTB7MP-200-316L
2,50"	3,500"	7,000"	LTB7MP-250-304	LTB7MP-250-316L
3,00"	3,750"	7,500"	LTB7MP-300-304	LTB7MP-300-316L
4,00"	4,500"	9,000"	LTB7MP-400-304	LTB7MP-400-316L
6,00"	6,500"	13,000"		LTB7MP-600-316L

Other diameters available upon request.

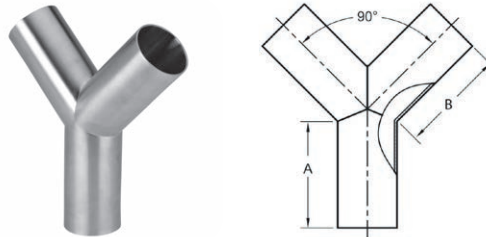
LATERAL Y'S, BUTT WELD, POLISHED # 7, 3A APPROVED
MODEL YLB28WA



TUBE	DRAWING			SERIES # B28WA Stainless Steel 304	SERIES # B28WA Stainless Steel 316L
	OD	A	B	C	PART #
1,00"	6,000"	1,000"	5,000"	YLB28WA-10-304	
1,50"	7,375"	1,188"	6,188"	YLB28WA-15-304	
2,00"	8,750"	1,625"	7,125"	YLB28WA-20-304	
2,50"	10,000"	1,500"	8,500"	YLB28WA-25-304	
3,00"	10,750"	1,875"	8,875"	YLB28WA-30-304	
4,00"	12,812"	2,015"	10,750"	YLB28WA-40-304	
6,00"	16,500"	4,000"	14,750"	YLB28WA-60-304	

Other diameters and materials available on request.

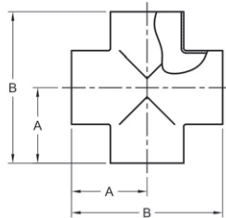
TRUE Y'S, BUTT WELD, POLISHED # 7, 3A APPROVED
MODEL YB28W



TUBE	DRAWING		SERIES # B28W Stainless Steel 304	SERIES # B28W Stainless Steel 316L
	OD	A	B	PART #
1,00"	2,000"	2,438"	YB28W-10-304	
1,50"	2,000"	2,438"	YB28W-15-304	
2,00"	2,625"	3,250v	YB28W-20-304	
2,50"	3,375"	4,125"	YB28W-25-304	
3,00"	4,000"	4,875"	YB28W-30-304	
4,00"	5,375"	6,562"	YB28W-40-304	

Other diameters and materials available on request.

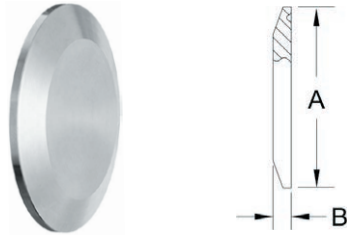
CROSSES, BUTT WELD, POLISHED # 7, 3A APPROVED
MODEL PB9WWWW



TUBE	DRAWING		SERIES # B9WWWW Stainless Steel 304	SERIES # B9WWWW Stainless Steel 316L
	OD	A	B	PART #
1,00"	1,125"	2,250"	PB9WWWW-10-304	
1,50"	1,656"	3,312"	PB9WWWW-15-304	
2,00"	2,062"	4,125"	PB9WWWW-20-304	
2,50"	2,343"	4,687"	PB9WWWW-25-304	
3,00"	2,598"	5,187"	PB9WWWW-30-304	
4,00"	3,437"	6,875"	PB9WWWW-40-304	

Other diameters and materials available on request.

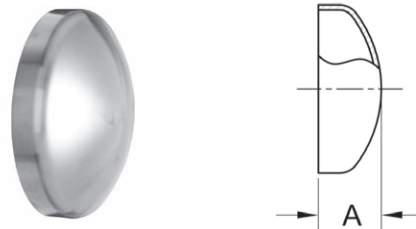
SOLID END CAPS, POLISHED # 7, 3A APPROVED
MODEL CAP



TUBE	DRAWING		SERIES # 16AMP Stainless Steel 304	SERIES # 16AMP Stainless Steel 316L
	A	B	PART #	PART #
0,50" & 0,75"	0,992"	0,187"	CAP050-304	CAP050-316L
1,00" & 1,50"	1,984"	0,250"	CAP150-304	CAP150-316L
2,00"	2,516"	0,250"	CAP200-304	CAP200-316L
2,50"	3,047"	0,250"	CAP250-304	CAP250-316L
3,00"	3,579"	0,250"	CAP300-304	CAP300-316L
4,00"	4,682"	0,250"	CAP400-304	CAP400-316L
6,00"	6,570"	0,437"	CAP600-304	CAP600-316L

Other diameters available upon request.

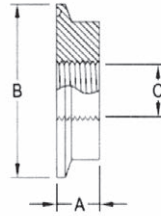
DOME CAPS, POLISHED # 7, 3A APPROVED
MODEL RC



TUBE	DRAWING		SERIES # B16W Stainless Steel 304	SERIES # B16W Stainless Steel 316L
	OD	A	PART #	PART #
1,00"	0,375"			RC100-316L
1,50"	0,562"			RC150-316L
2,00"	0,750"			RC200-316L
2,50"	1,000"			RC250-316L
3,00"	1,250"		RC300-304	RC300-316L
4,00"	1,500"			RC400-316L

Other diameters available upon request.

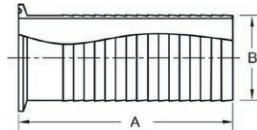
THERMOMETER CAPS, TRI-CLAMP® x NPTF, POLISHED # 7
MODEL THCL



SIZE	DRAWING			SERIES # 23BMP Stainless Steel 316L
	A	B	C	PART #
1"	0,625"	1,984"	1/4" NPTF	THCL100-25-316L
1"	0,625"	1,984"	1/2" NPTF	THCL100-50-316L
1,50"	0,625"	1,984"	1/4" NPTF	THCL150-25-316L
1,50"	0,625"	1,984"	1/2" NPTF	THCL150-50-316L
2,00"	0,625"	2,516"	1/4" NPTF	THCL200-25-316L
2,00"	0,625"	2,516"	1/2" NPTF	THCL200-50-316L
2,50"	0,625"	3,047"	1/4" NPTF	THCL250-25-316L
2,50"	0,625"	3,047"	1/2" NPTF	THCL250-50-316L
3,00"	0,625"	3,579"	1/4" NPTF	THCL300-25-316L
3,00"	0,625"	3,579"	1/2" NPTF	THCL300-50-316L
4,00"	0,625"	4,682"	1/4" NPTF	THCL400-25-316L
4,00"	0,625"	4,682"	1/2" NPTF	THCL400-50-316L

Other diameters available upon request.

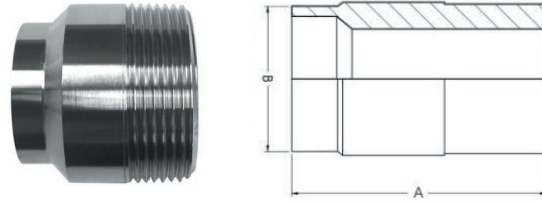
ADAPTERS, TRI-CLAMP® x HOSE BARB, 3A APPROVED
MODEL HB14MPHRL



TUBE OD	DRAWING		SERIES # 14MPHRL Stainless Steel 316L
	A	B	PART #
1,00"	3,500"	1,030"	HB14MPHRL-100-6
1,50"	5,000"	1,530"	HB14MPHRL-150-6
2,00"	5,000"	2,030"	HB14MPHRL-200-6
2,50"	5,500"	2,530"	HB14MPHRL-250-6
3,00"	5,500"	3,030"	HB14MPHRL-300-6
4,00"	5,500"	4,030"	HB14MPHRL-400-6
6,00"	5,500"	6,00"	HB14MPHRL-600-6

Other diameters available upon request.

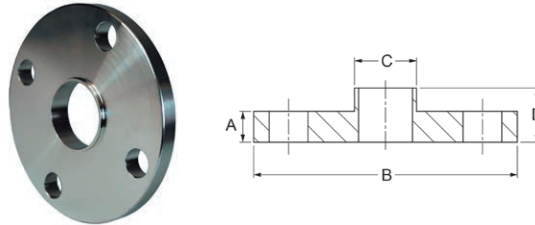
ADAPTERS, BUTT WELD x NPTM, POLISHED # 7
MODEL 19WB



TUBE	NPTM	DRAWING		SERIES # 19WB	SERIES # 19WB
		A	B	Stainless Steel 304	Stainless Steel 316L
OD				PART #	PART #
1,00"	0,75"	1,750"	1,000"		P19WB-10-075-6L
1,00"	1,00"	1,750"	1,000"		P19WB-10-10-6L
1,50"	1,00"	1,750"	1,500"		P19WB-15-10-6L
1,50"	1,50"	1,750"	1,500"		P19WB-15-15-6L
2,00"	1,50"	1,813"	2,000"		P19WB-20-15-6L
2,00"	2,00"	1,813"	2,000"		P19WB-20-20-6L

Other diameters and materials available on request.

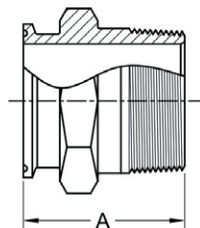
WELD NECK FLANGES RF150, POLISHED # 7
MODEL SPW-B38W



TUBE	DRAWING				SERIES # B38W	SERIES # B38W
	A	B	C	D	Stainless Steel 304	Stainless Steel 316L
OD	A	B	C	D	PART #	PART #
1,00"	0,500"	4,250"	1,000"	0,375"		SPW-B38W100-6
1,50"	0,500"	5,000"	1,500"	0,375"		SPW-B38W150-6
2,00"	0,625"	6,000"	2,000"	0,500"		SPW-B38W200-6
2,50"	0,625"	7,000"	2,500"	0,500"		SPW-B38W250-6
3,00"	0,625"	7,500"	3,000"	0,500"		SPW-B38W300-6
4,00"	0,625"	9,000"	4,000"	0,500"	SPW-B38W400-4	SPW-B38W400-6
6,00"	0,625"	11,000"	6,000"	0,500"		SPW-B38W600-6

Other diameters and materials available on request.

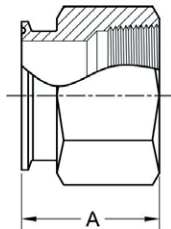
ADAPTERS, TRI-CLAMP® x NPTM, POLISHED # 7
MODEL CA21MP



TUBE	DRAWING	SERIES # 21MP Stainless Steel 304	SERIES # 21MP Stainless Steel 316L
OD (TC x NPTM)	A	PART #	PART #
1,5 x 0,25"	2,200"	CA21MP-15-025-4	CA21MP-15-025-6
1,5 x 0,50"	2,150"	CA21MP-15-05-4	CA21MP-15-05-6
1,5 x 0,75"	2,200"	CA21MP-15-075-4	CA21MP-15-075-6
1,5 x 1"	2,250"	CA21MP-15-10-4	CA21MP-15-10-6
1,5 x 1,5"	2,583"	CA21MP-15-15-4	CA21MP-15-15-6
1,5 x 2 "	2,550"		CA21MP-15-20-6
2 x 0,25"	2,250"	CA21MP-20-025-4	CA21MP-20-025-6
2 x 0,50"	2,250"	CA21MP-20-05-4	
2 x 1"	2,450"	CA21MP-20-10-4	
2 x 1,5"	2,450"	CA21MP-20-15-4	CA21MP-20-15-6
2 x 2"	2,638"	CA21MP-20-20-4	CA21MP-20-20-6
2,5 x 1,5"	2,750"		CA21MP-25-15-6
2,5 x 2"	2,750"	CA21MP-25-20-4	CA21MP-25-20-6
2,5 x 2,5"	2,874"	CA21MP-25-25-4	CA21MP-25-25-6
3 x 1,5"	3,000"		CA21MP-30-15-6
3 x 2"	2,550"		CA21MP-30-20-6
3 x 2,5"	3,000"		CA21MP-30-25-6
3 x 3"	3,000"	CA21MP-30-30-4	CA21MP-30-30-6
4 x 3"	3,100"		CA21MP-40-30-6

Other diameters available upon request.

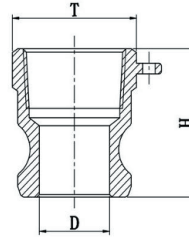
ADAPTERS, TRI-CLAMP® x NPTF, POLISHED # 7
MODEL CAF22MP



TUBE	DRAWING	SERIES # 22MP Stainless Steel 304	SERIES # 22MP Stainless Steel 316L
OD (TC x NPTF)	A	PART #	PART #
1 x 1	1,630"		CAF22MP-10-10-6
1,5 x 0,25"	1,630"		CAF22MP-15-025-6
1,5 x 0,50"	1,630"		CAF22MP-15-05-6
1,5 x 0,75"	1,630"		CAF22MP-15-075-6
1,5 x 1"	1,630"		CAF22MP-15-10-6
1,5 x 1,25"	1,700"		CAF22MP-15-125-6
1,5 x 1,5"	2,250"		CAF22MP-15-15-6
2 x 1"	1,700"		CAF22MP-20-10-6
2 x 1,25"	1,750"		CAF22MP-20-125-6
2 x 1,5"	1,750"		CAF22MP-20-15-6
2 x 2"	2,300"		CAF22MP-20-20-6
2,5 x 1,5"	1,700"		CAF22MP-25-15-6
2,5 x 2"	1,700"		CAF22MP-25-20-6
2,5 x 2,5"	2,100"		CAF22MP-25-25-6
3 x 2"	2,000"		CAF22MP-30-20-6
3 x 2,5"	2,200"		CAF22MP-30-25-6
3 x 3"	2,200"		CAF22MP-30-30-6
4 x 1,5"	2,200"		CAF22MP-40-15-6
4 x 2"	2,200"		CAF22MP-40-20-6
4 x 2,5"	2,200"		CAF22MP-40-25-6
4 x 3"	2,200"		CAF22MP-40-30-6

Other diameters, threads and materials available on request.

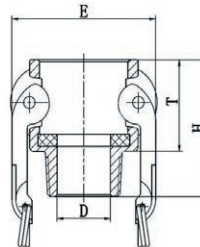
CAMLOCK COUPLINGS, TYPE A MODEL CAMA



TUBE	DRAWING			SERIES CAMA Stainless Steel 304	SERIES CAMA Stainless Steel 316L
	OD	T	H	D	PART #
0,5"	0,976"	1,346"	0,591"		CAMA-050-6L
0,75"	1,272"	1,551"	0,819"		CAMA-075-6L
1,00"	1,504"	1,772"	1,000"		CAMA-100-6L
1,25"	1,890"	2,106"	1,220"		CAMA-125-6L
1,50"	2,114"	1,988"	1,575"		CAMA-150-6L
2,00"	2,583"	2,236"	1,890"		CAMA-200-6L
2,50"	3,217"	2,795"	2,362"		CAMA-250-6L
3,00"	3,724"	2,756"	3,059"		CAMA-300-6L
4,00"	4,764"	2,717"	4,106"		

Other diameters and materials available on request.

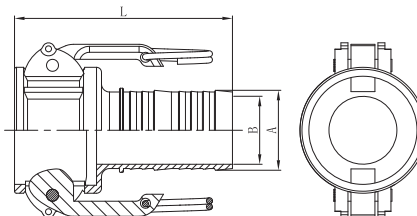
CAMLOCK COUPLINGS, TYPE B MODEL CAMB



TUBE	DRAWING				SERIES CAMB Stainless Steel 304	SERIES CAMB Stainless Steel 316L
	OD	E	T	H	D	PART #
0,5"	1,673"	1,130"	1,752"	0,571"		CAMB-050-6L
0,75"	2,047"	1,339"	1,988"	0,795"		CAMB-075-6L
1,00"	2,362"	1,496"	2,264"	0,984"		CAMB-100-6L
1,25"	2,933"	1,772"	2,571"	1,299"		CAMB-125-6L
1,50"	3,244"	1,748"	2,539"	1,614"		CAMB-150-6L
2,00"	3,622"	1,949"	2,783"	2,047"		CAMB-200-6L
2,50"	4,173"	2,047"	3,091"	2,575"		
3,00"	5,118"	2,165"	3,307"	2,953"		
4,00"	6,220"	2,205"	3,417"	4,016"		

Other diameters and materials available on request.

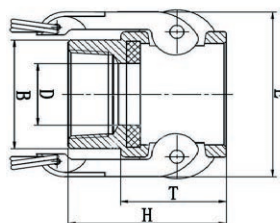
CAMLOCK COUPLINGS, TYPE C, 6 SHANKS MODEL CAMC



TUBE	DRAWING			SERIES CAMC Stainless Steel 304	SERIES CAMC Stainless Steel 316L
	OD	A	B	L	PART #
0,5"	0,551"	0,335"	2,776"		CAMC-050-6S-6L
0,75"	0,807"	0,571"	3,130"		CAMC-075-6S-6L
1,00"	1,063"	0,787"	3,701"		CAMC-100-6S-6L
1,25"	1,280"	1,043"	4,094"		CAMC-125-6S-6L
1,50"	1,575"	1,339"	4,291"		CAMC-150-6S-6L
2,00"	2,067"	1,831"	4,961"		CAMC-200-6S-6L
2,50"					
3,00"					
4,00"					

Other diameters and materials available on request.

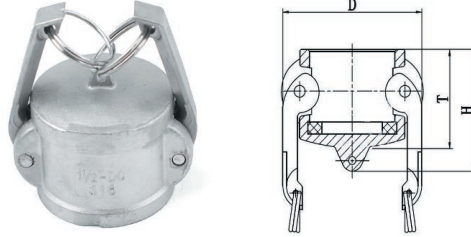
CAMLOCK COUPLINGS, TYPE D MODEL CAMD



TUBE	DRAWING					SERIES CAMD Stainless Steel 304	SERIES CAMD Stainless Steel 316L
	OD	E	T	H	D	B	PART #
0,5"	1,673"	1,161"	1,752"	0,579"	1,004"		CAMD-050-6L
0,75"	2,047"	1,339"	1,929"	0,768"	1,220"		CAMD-075-6L
1,00"	2,390"	1,508"	2,303"	0,984"	1,457"		CAMD-100-6L
1,25"	2,913"	1,772"	2,480"	1,181"	1,831"		CAMD-125-6L
1,50"	3,287"	1,764"	2,598"	1,555"	2,071"		CAMD-150-6L
2,00"	3,661"	1,969"	2,835"	1,929"	2,512"		CAMD-200-6L
2,50"	4,331"	2,047"	3,150"	2,244"	3,150"		
3,00"	5,236"	2,185"	3,287"	2,992"	3,701"		
4,00"	6,339"	2,224"	3,465"	3,583"	4,724"		

Other diameters and materials available on request.

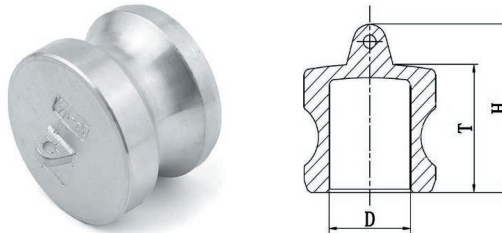
CAMLOCK COUPLINGS, TYPE DC
MODEL CAMDC



TUBE	DRAWING			SERIES CAMDC Stainless Steel 304	SERIES CAMDC Stainless Steel 316L
	OD	T	H	D	PART #
0,5"	1,299"	1,496"	1,673"		CAMDC-050-6L
0,75"	1,449"	1,811"	2,035"		CAMDC-075-6L
1,00"	1,732"	2,047"	2,362"		CAMDC-100-6L
1,25"	1,969"	2,283"	2,913"		CAMDC-125-6L
1,50"	1,969"	2,283"	3,209"		CAMDC-150-6L
2,00"	2,244"	2,598"	3,622"		CAMDC-200-6L
2,50"	2,343"	2,756"	4,114"		
3,00"	2,441"	2,835"	4,224"		
4,00"	2,480"	2,953"	6,043"		

Other diameters and materials available on request.

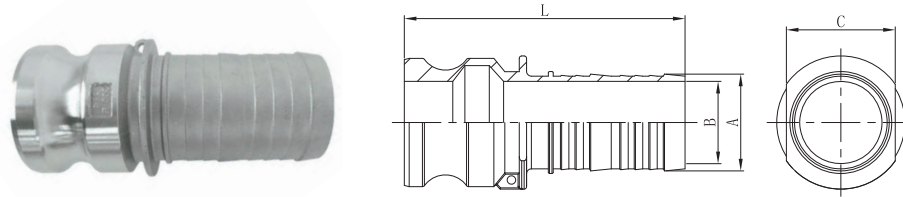
CAMLOCK COUPLINGS, TYPE DP
MODEL CAMDP



TUBE	DRAWING			SERIES CAMDP Stainless Steel 304	SERIES CAMDP Stainless Steel 316L
	OD	T	H	D	PART #
0,5"	1,083"	1,409"	0,610"		CAMDP-050-6L
0,75"	1,181"	1,496"	0,866"		CAMDP-075-6L
1,00"	1,358"	1,713"	1,024"		CAMDP-100-6L
1,25"	1,673"	2,008"	1,220"		CAMDP-125-6L
1,50"	1,732"	2,028"	1,496"		CAMDP-150-6L
2,00"	1,969"	2,362"	1,870"		CAMDP-200-6L
2,50"	1,969"	2,402"	2,362"		
3,00"	2,228"	2,677"	3,024"		
4,00"	2,303"	2,717"	4,055"		

Other diameters and materials available on request.

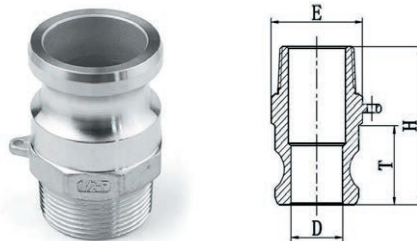
CAMLOCK COUPLINGS, TYPE E, 6 SHANKS
MODEL CAME



TUBE	DRAWING				SERIES CAME	SERIES CAME
	OD	A	B	C	L	PART #
					Stainless Steel 304	Stainless Steel 316L
0,5"	0,551"	0,335"	0,709"	2,953"		CAME-050-6S-6L
0,75"	0,807"	0,571"	0,945"	3,366"		CAME-075-6S-6L
1,00"	1,063"	0,787"	1,260"	3,976"		CAME-100-6S-6L
1,25"	1,280"	1,043"	1,457"	4,390"		CAME-125-6S-6L
1,50"	1,575"	1,339"	1,772"	4,567"		CAME-150-6S-6L
2,00"	2,067"	1,831"	2,126"	5,394"		CAME-200-6S-6L
2,50"						
3,00"						
4,00"						

Other diameters and materials available on request.

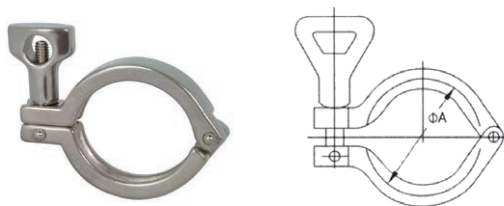
CAMLOCK COUPLINGS, TYPE F
MODEL CAMF



TUBE	DRAWING				SERIES CAMF	SERIES CAMF
	OD	E	H	D	T	PART #
					Stainless Steel 304	Stainless Steel 316L
0,5"	0,965"	2,008"	0,591"	1,083"		CAMF-050-6L
0,75"	1,260"	2,087"	0,846"	1,299"		CAMF-075-6L
1,00"	1,449"	2,433"	0,984"	1,299"		CAMF-100-6L
1,25"	1,799"	2,835"	1,220"	1,594"		CAMF-125-6L
1,50"	2,126"	2,933"	1,555"	1,614"		CAMF-150-6L
2,00"	2,500"	3,051"	1,909"	1,732"		CAMF-200-6L
2,50"	3,004"	3,524"	2,402"	1,890"		CAMF-250-6L
3,00"	3,583"	3,752"	2,965"	1,969"		CAMF-300-6L
4,00"	4,705"	3,996"	4,055"	2,008"		

Other diameters and materials available on request.

CLAMPS, HEAVY DUTY, SINGLE PIN AND STANDARD NUT
MODEL CL-HD

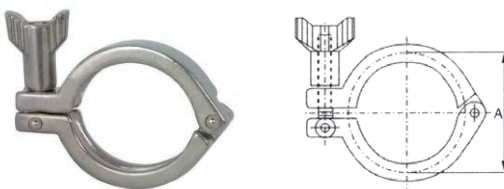


TUBE	SERVICE PRESSURE RATING @ 70°F ¹	DRAWING	SERIES # 13MHHM Stainless Steel 304
OD		A	PART #
0,50" & 0,75"	1500	1,062"	CL050HD
1,00" & 1,50"	500	2,122"	CL150HD
2,00"	450	2,654"	CL200HD
2,50"	400	3,185"	CL250HD
3,00"	350	3,717"	CL300HD
4,00"	300	4,820"	CL400HD
5,00"	225	5,820"	CL500HD
6,00"	150	6,695"	CL600HD
8,00"	100	8,695"	CL800HD

¹ Wing nut tightened to 25 lbs torque.

DESCRIPTION	PART #
Standard wing nut for HD clamps 2"	NUT-CL200HD

CLAMPS, HEAVY DUTY, SINGLE PIN AND SERRATED WING NUT
MODEL CL-HD-SW

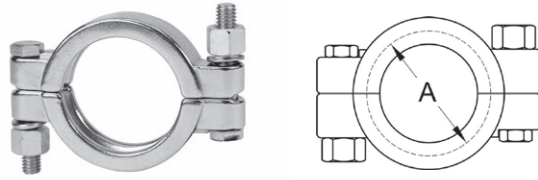


TUBE	SERVICE PRESSURE RATING @ 70°F ¹	DRAWING	SERIES # 13MHHM Stainless Steel 304
OD		A	PART #
0,50" & 0,75"	1500	1,062"	CL050HD-SW
1,00" & 1,50"	500	2,122"	CL150HD-SW
2,00"	450	2,654"	CL200HD-SW
2,50"	400	3,185"	CL250HD-SW
3,00"	350	3,717"	CL300HD-SW
4,00"	300	4,820"	CL400HD-SW
5,00"	225	5,820"	CL500HD-SW
6,00"	150	6,695"	CL600HD-SW
8,00"	100	8,695"	CL800HD-SW

¹ Wing nut tightened to 25 lbs torque.

DESCRIPTION	PART #
Serrated wing nut for HD clamps 2"	NUT-CL200HD-SW

CLAMPS, HIGH PRESSURE, DUAL BOLTED
MODEL CL13MHP



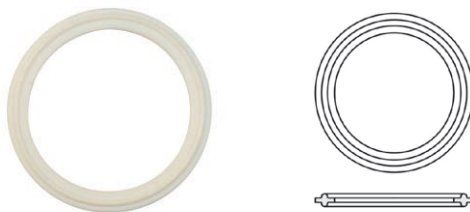
TUBE	SERVICE PRESSURE RATING @ 70°F ¹	DRAWING	SERIES # 13MHP Stainless Steel 304
OD		A	PART #
0,50" & 0,75"	1500	1,062"	CL13MHP-050HD
1,00" & 1,50"	1500	2,046"	CL13MHP-150HD
2,00"	1000	2,578"	CL13MHP-200HD
2,50"	1000	3,110"	CL13MHP-250HD
3,00"	1000	3,640"	CL13MHP-300HD
4,00"	800	4,744"	CL13MHP-400HD
6,00"	300	6,632"	CL13MHP-600HD

¹ Wing nut tightened to 25 lbs torque.

GASKETS, PEROXIDE CURED, CLEAR SILICONE, FDA APPROVED
MODEL G-CS

TEMPERATURE RANGE

- 50° F / 400° F
- 46° C / 204° C



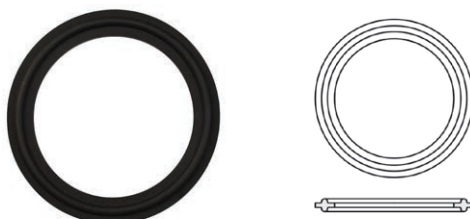
TUBE	SERIES # 42MP Clear Silicone, No dot		SERIES # 40MP Clear Silicone, No dot	
	OD	PART #	AMOUNT	PART #
0,50"	G050-CS	25 PACK		
0,75"	G075-CS	25 PACK		
1,00"			G100-CS	25 PACK
1,50"			G150-CS	25 PACK
2,00"			G200-CS	25 PACK
2,50"			G250-CS	25 PACK
3,00"			G300-CS	10 PACK
4,00"			G400-CS	10 PACK
6,00"			G600-CS	Individually
8,00"			G800-CS	Individually

Other diameters available upon request.

GASKETS, PEROXIDE CURED, EPDM, FDA APPROVED
MODEL G-EPDM

TEMPERATURE RANGE

- 40° F / 275° F
- 40° C / 135° C



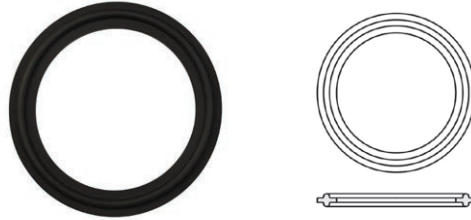
TUBE	SERIES # 42MP EPDM, 3 green dot		SERIES # 40MP EPDM, 3 green dot	
	OD	PART #	AMOUNT	PART #
0,50"	G050-EPDM	25 PACK		
0,75"	G075-EPDM	25 PACK		
1,00"			G100-EPDM	25 PACK
1,50"			G150-EPDM	25 PACK
2,00"			G200-EPDM	25 PACK
2,50"			G250-EPDM	25 PACK
3,00"			G300-EPDM	10 PACK
4,00"			G400-EPDM	10 PACK
6,00"			G600-EPDM	Individually
8,00"			G800-EPDM	Individually

Other diameters available upon request.

GASKETS, BUNA-N, FDA APPROVED
MODEL G-BN

TEMPERATURE RANGE

- 25° F / 225° F
- 32° C / 107° C



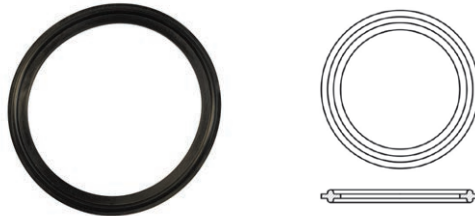
TUBE	SERIES # 42MP BUNA-N, 1 red dot		SERIES # 40MP BUNA-N, 1 red dot	
	OD	PART #	AMOUNT	PART #
0,50"	G050-BN	25 PACK		
0,75"	G075-BN	25 PACK		
1,00"			G100-BN	25 PACK
1,50"			G150-BN	25 PACK
2,00"			G200-BN	25 PACK
2,50"			G250-BN	25 PACK
3,00"			G300-BN	10 PACK
4,00"			G400-BN	10 PACK
6,00"			G600-BN	Individually
8,00"			G800-BN	Individually

Other diameters available upon request.

GASKETS, PEROXIDE CURED, VITON (FKM), FDA APPROVED
MODEL G-FKM

TEMPERATURE RANGE

- 15° F / 375° F
- 26° C / 191° C



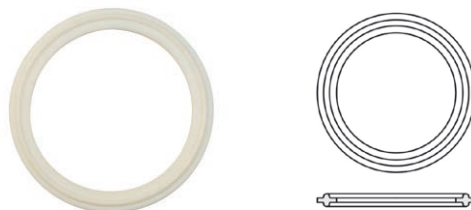
TUBE	SERIES # 42MP VITON, 1 white dot & 1 yellow dot		SERIES # 40MP VITON, 1 white dot & 1 yellow dot	
	OD	PART #	AMOUNT	PART #
0,50"	G050-FKM	Individually		
0,75"	G075-FKM	Individually		
1,00"			G100-FKM	Individually
1,50"			G150-FKM	Individually
2,00"			G200-FKM	Individually
2,50"			G250-FKM	Individually
3,00"			G300-FKM	Individually
4,00"			G400-FKM	Individually
6,00"			G600-FKM	Individually
8,00"			G800-FKM	Individually

Other diameters available upon request.

GASKETS, PTFE (WHITE), FDA APPROVED
MODEL G-PTFE

TEMPERATURE RANGE

- 10° F / 300° F
- 23° C / 232° C



Non recommandé pour les colliers de serrage à écrous doubles.

TUBE	SERIES # 42MP PTFE, No dot		SERIES # 40MP PTFE, No dot	
	OD	PART #	AMOUNT	PART #
0,50"	G050-PTFE	25 PACK		
0,75"	G075-PTFE	25 PACK		
1,00"			G100-PTFE	25 PACK
1,50"			G150-PTFE	25 PACK
2,00"			G200-PTFE	25 PACK
2,50"			G250-PTFE	25 PACK
3,00"			G300-PTFE	10 PACK
4,00"			G400-PTFE	10 PACK
6,00"			G600-PTFE	Individually

Other diameters available upon request.

FLANGED GASKETS, PEROXIDE CURED, EPDM, FDA APPROVED
MODEL FG-EPDM

TEMPERATURE RANGE

- 40° F / 275° F
- 40° C / 135° C



Type 2 - Flanged

TUBE	SERIES # 42MPF EPDM, 3 green dot		SERIES # 40MPF EPDM, 3 green dot	
	OD	PART #	AMOUNT	PART #
0,50"	FG050-EPDM	25 PACK		
0,75"	FG075-EPDM	25 PACK		
1,00"			FG100-EPDM	25 PACK
1,50"			FG150-EPDM	25 PACK
2,00"			FG200-EPDM	25 PACK
2,50"			FG250-EPDM	25 PACK
3,00"			FG300-EPDM	10 PACK
4,00"			FG400-EPDM	10 PACK
5,00"			FG500-EPDM	10 PACK
6,00"			FG600-EPDM	Individually
8,00"	FG800-EPDM	Individually		

Other diameters available upon request.

FLANGED GASKETS, PEROXIDE CURED, CLEAR SILICONE, FDA APPROVED
MODEL FG-CS

TEMPERATURE RANGE

- 50° F / 400° F
- 46° C / 204° C



Type 2 - Flanged

TUBE	SERIES # 42MPF Clear Silicone, no dot		SERIES # 40MPF Clear Silicone, no dot	
	OD	PART #	AMOUNT	PART #
0,50"	FG050-CS	25 PACK		
0,75"	FG075-CS	25 PACK		
1,00"			FG100-CS	25 PACK
1,50"			FG150-CS	25 PACK
2,00"			FG200-CS	25 PACK
2,50"			FG250-CS	25 PACK
3,00"			FG300-CS	10 PACK
4,00"			FG400-CS	10 PACK
5,00"			FG500-CS	10 PACK
6,00"			FG600-CS	Individually
8,00"			FG800-CS	Individually

Other diameters available upon request.

FLANGED GASKETS, BUNA-N, FDA APPROVED
MODEL FG-BN

TEMPERATURE RANGE

- 25° F / 225° F
- 32° C / 107° C

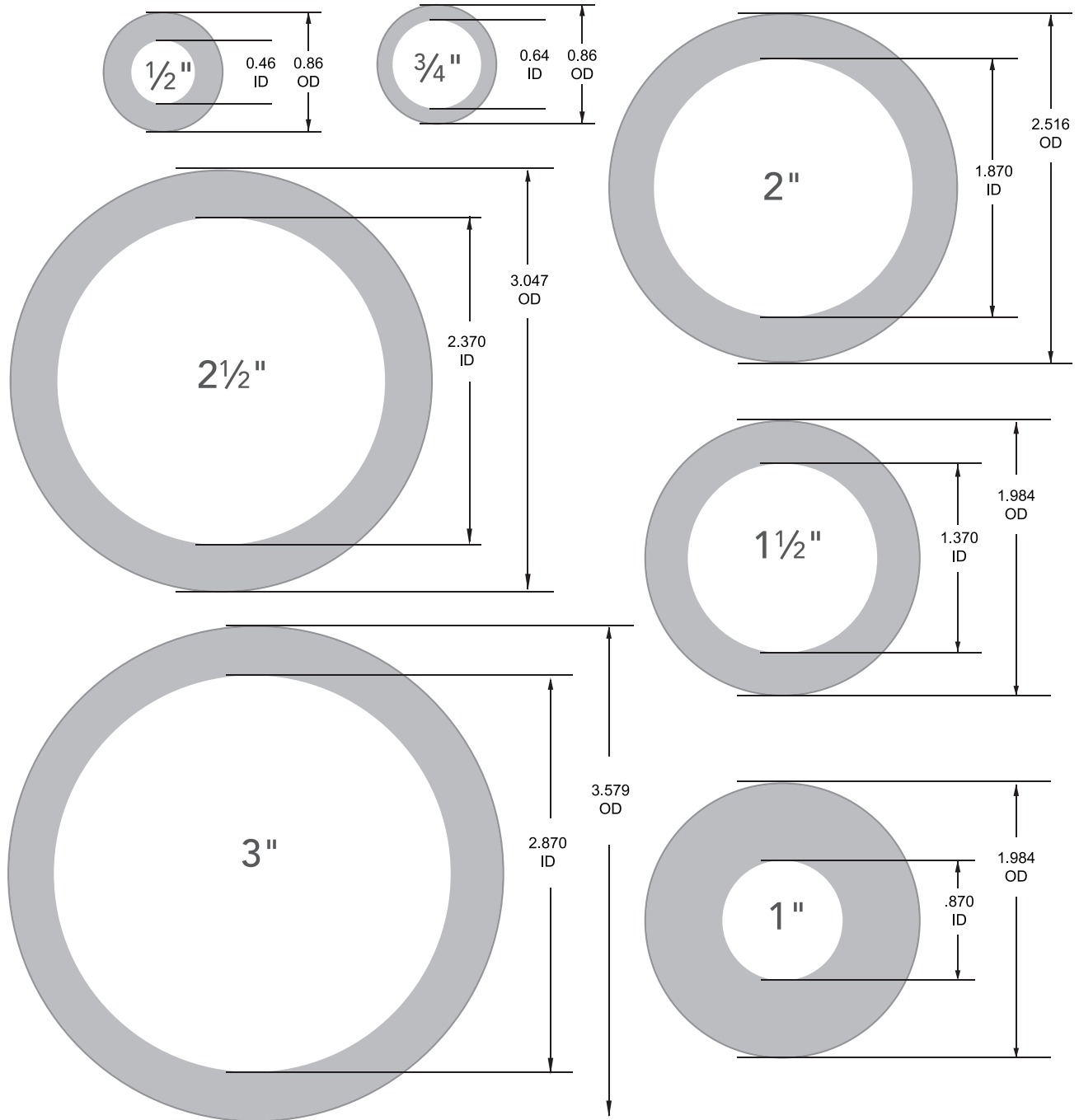


Type 2 - Flanged

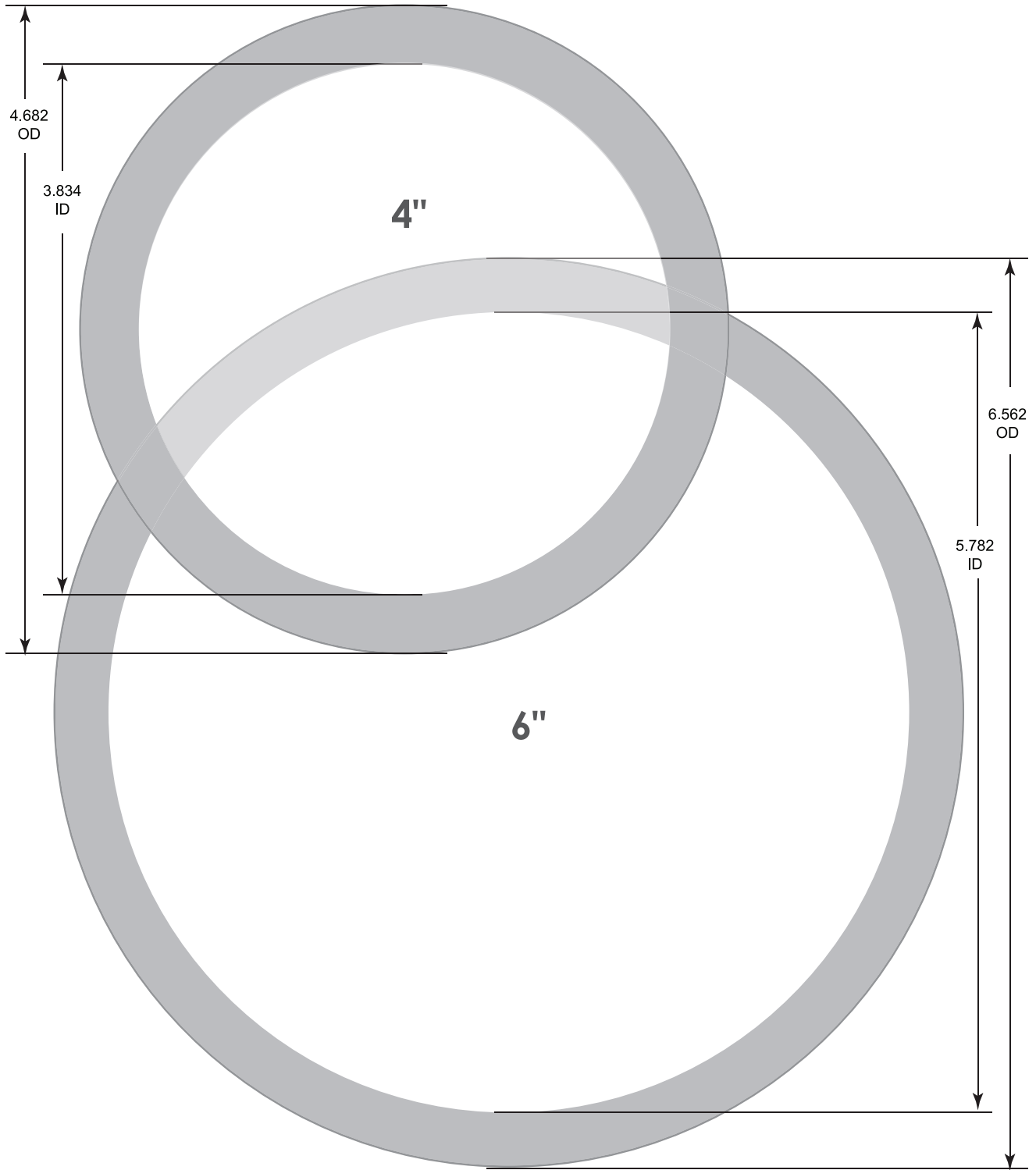
TUBE	SERIES # 42MPF BUNA-N, 1 red dot		SERIES # 40MPF BUNA-N, 1 red dot	
	OD	PART #	AMOUNT	PART #
0,50"	FG050-BN	25 PACK		
0,75"	FG075-BN	25 PACK		
1,00"			FG100-BN	25 PACK
1,50"			FG150-BN	25 PACK
2,00"			FG200-BN	25 PACK
2,50"			FG250-BN	25 PACK
3,00"			FG300-BN	10 PACK
4,00"			FG400-BN	10 PACK
6,00"			FG600-BN	Individually
8,00"			FG800-BN	Individually

Other diameters available upon request.

CLAMP GASKET - SIZING GUIDE



CLAMP GASKET - SIZING GUIDE



Sanitary / SS Valves & Related Products

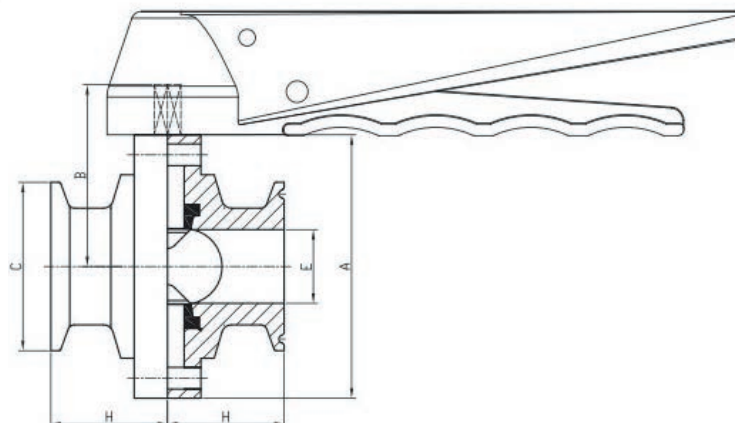


PITANCO
PRECISION

ISO 9001



**BUTTERFLY VALVES, TRI-CLAMP® 10 POSITION LOCKABLE TRIGGER HANDLE
MODEL BV5101TH**



TUBE	DIMENSIONS ACCORDING TO THE DRAWING				
	OD	A	B	C	E
1,00"	3,110"	1,949"	1,988"	0,870"	1,378"
1,50"	3,346"	2,067"	1,988"	1,370"	1,378"
2,00"	3,937"	2,362"	2,520"	1,870"	1,457"
2,50"	4,528"	2,657"	3,051"	2,370"	1,496"
3,00"	5,000"	2,894"	3,583"	2,870"	1,496"
4,00"	6,142"	3,465"	4,685"	3,843"	1,772"

Other sizes & face to face available on request.

SERIES # B5101
Stainless Steel 316L

TUBE	EPDM	CLEAR SILICONE	RED SILICONE	FKM (VITON)
OD	PART #			
1,00"	BV5101TH-E-10-6	BV5101TH-ST-10-6	BV5101TH-S-10-6	BV5101TH-F-10-6
1,50"	BV5101TH-E-15-6	BV5101TH-ST-15-6	BV5101TH-S-15-6	BV5101TH-F-15-6
2,00"	BV5101TH-E-20-6	BV5101TH-ST-20-6	BV5101TH-S-20-6	BV5101TH-F-20-6
2,50"	BV5101TH-E-25-6	BV5101TH-ST-25-6	BV5101TH-S-25-6	BV5101TH-F-25-6
3,00"	BV5101TH-E-30-6	BV5101TH-ST-30-6	BV5101TH-S-30-6	BV5101TH-F-30-6
4,00"	BV5101TH-E-40-6	BV5101TH-ST-40-6	BV5101TH-S-40-6	BV5101TH-F-40-6

SPECIFICATIONS

Information below based on water media at 68°F/20°C.

TUBE	BREAK TORQUE (IN/LBS.)			PRESSURE RATING (PSI)	FLOW COEFFICIENT (C _v)	WEIGHT (LBS.)
	SILICONE	EPDM	FKM			
1.00"	20	75	70	140	23	3,50
1.50"	40	130	125	140	80	3,10
2.00"	55	165	175	140	230	3,90
2.50"	70	210	220	110	264	4,90
3.00"	165	350	310	110	372	5,70
4.00"	350	540	450	85	800	7,80

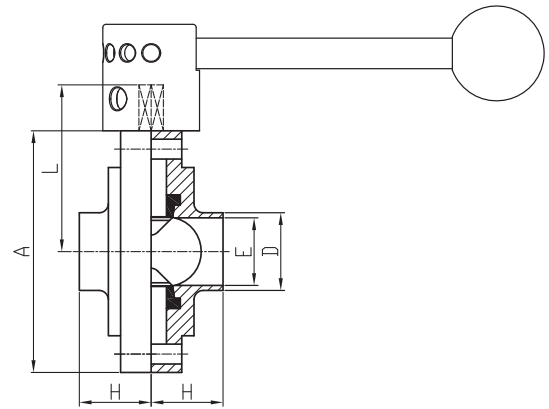
SEATS FOR BUTTERFLY VALVE, FDA APPROVED



TUBE	EPDM	CLEAR SILICONE	RED SILICONE	FKM (VITON)
OD	PART #			
1,00"	SBV-E-100	SBV-ST-100	SBV-S-100	SBV-F-100
1,50"	SBV-E-150	SBV-ST-150	SBV-S-150	SBV-F-150
2,00"	SBV-E-200	SBV-ST-200	SBV-S-200	SBV-F-200
2,50"	SBV-E-250	SBV-ST-250	SBV-S-250	SBV-F-250
3,00"	SBV-E-300	SBV-ST-300	SBV-S-300	SBV-F-300
4,00"	SBV-E-400	SBV-ST-400	SBV-S-400	SBV-F-400

Other diameters available upon request.

BUTTERFLY VALVES, BUTT WELD, 4 POSITION PULL HANDLE
MODEL VP5101



TUBE	DIMENSIONS ACCORDING TO THE DRAWING				
OD	A	D	E	L	H
1,00"	3,1102"	1,00"	0,8700"	1,9488"	0,9252"
1,50"	3,3465"	1,50"	1,3700"	2,0669"	0,9252"
2,00"	3,937"	2,00"	1,8700"	2,3622"	1,0236"
2,50"	4,5276"	2,50"	2,3425"	2,6575"	1,0630"
3,00"	5,000"	3,00"	2,8425"	2,8937"	1,1024"
4,00"	6,1417"	4,00"	3,8425"	3,4646"	1,1811"

Other sizes & face to face available on request.

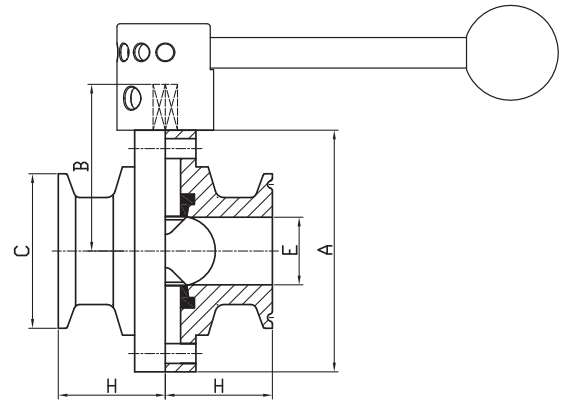
SERIES # B5101
Stainless Steel 304

TUBE	EPDM	CLEAR SILICONE	RED SILICONE	FKM (VITON)
OD	PART #			
1,00"	VP5101-E-10-4	VP5101-ST-10-4	VP5101-S-10-4	VP5101-F-10-4
1,50"	VP5101-E-15-4	VP5101-ST-15-4	VP5101-S-15-4	VP5101-F-15-4
2,00"	VP5101-E-20-4	VP5101-ST-20-4	VP5101-S-20-4	VP5101-F-20-4
2,50"	VP5101-E-25-4	VP5101-ST-25-4	VP5101-S-25-4	VP5101-F-25-4
3,00"	VP5101-E-30-4	VP5101-ST-30-4	VP5101-S-30-4	VP5101-F-30-4
4,00"	VP5101-E-40-4	VP5101-ST-40-4	VP5101-S-40-4	VP5101-F-40-4

SERIES # B5101
Stainless Steel 316L

TUBE	EPDM	CLEAR SILICONE	RED SILICONE	FKM (VITON)
OD	PART #			
1,00"	VP5101-E-10-6L	VP5101-ST-10-6L	VP5101-S-10-6L	VP5101-F-10-6L
1,50"	VP5101-E-15-6L	VP5101-ST-15-6L	VP5101-S-15-6L	VP5101-F-15-6L
2,00"	VP5101-E-20-6L	VP5101-ST-20-6L	VP5101-S-20-6L	VP5101-F-20-6L
2,50"	VP5101-E-25-6L	VP5101-ST-25-6L	VP5101-S-25-6L	VP5101-F-25-6L
3,00"	VP5101-E-30-6L	VP5101-ST-30-6L	VP5101-S-30-6L	VP5101-F-30-6L
4,00"	VP5101-E-40-6L	VP5101-ST-40-6L	VP5101-S-40-6L	VP5101-F-40-6L

BUTTERFLY VALVES, TRI-CLAMP®, 4 POSITION PULL HANDLE
MODEL VP5101CL



TUBE	DIMENSIONS ACCORDING TO THE DRAWING				
OD	A	B	C	E	H
1,00"	3,1102"	1,9488"	1,9882	0,8700	1,3780"
1,50"	3,3465"	2,0669"	1,9882	1,3700	1,3780"
2,00"	3,9370"	2,3622"	2,5197	1,8700"	1,4567"
2,50"	4,5276"	2,6575"	3,0512	2,3700"	1,4960"
3,00"	5,000"	2,8937"	3,5827	2,8700"	1,5354"
4,00"	6,1417"	3,4646"	4,6850	3,8425"	1,7717"

Other sizes & face to face available on request.

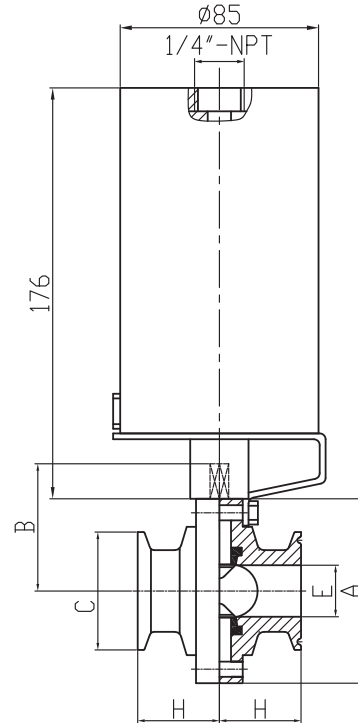
SERIES # B5101
Stainless Steel 304

TUBE	EPDM	CLEAR SILICONE	RED SILICONE	FKM (VITON)
OD	PART #			
1,00"	VP5101CL-E-10-4	VP5101CL-ST-10-4	VP5101CL-S-10-4	VP5101CL-F-10-4
1,50"	VP5101CL-E-15-4	VP5101CL-ST-15-4	VP5101CL-S-15-4	VP5101CL-F-15-4
2,00"	VP5101CL-E-20-4	VP5101CL-ST-20-4	VP5101CL-S-20-4	VP5101CL-F-20-4
2,50"	VP5101CL-E-25-4	VP5101CL-ST-25-4	VP5101CL-S-25-4	VP5101CL-F-25-4
3,00"	VP5101CL-E-30-4	VP5101CL-ST-30-4	VP5101CL-S-30-4	VP5101CL-F-30-4
4,00"	VP5101CL-E-40-4	VP5101CL-ST-40-4	VP5101CL-S-40-4	VP5101CL-F-40-4

SERIES # B5101
Stainless Steel 316L

TUBE	EPDM	CLEAR SILICONE	RED SILICONE	FKM (VITON)
OD	PART #			
1,00"	VP5101CL-E-10-6L	VP5101CL-ST-10-6L	VP5101CL-S-10-6L	VP5101CL-F-10-6L
1,50"	VP5101CL-E-15-6L	VP5101CL-ST-15-6L	VP5101CL-S-15-6L	VP5101CL-F-15-6L
2,00"	VP5101CL-E-20-6L	VP5101CL-ST-20-6L	VP5101CL-S-20-6L	VP5101CL-F-20-6L
2,50"	VP5101CL-E-25-6L	VP5101CL-ST-25-6L	VP5101CL-S-25-6L	VP5101CL-F-25-6L
3,00"	VP5101CL-E-30-6L	VP5101CL-ST-30-6L	VP5101CL-S-30-6L	VP5101CL-F-30-6L
4,00"	VP5101CL-E-40-6L	VP5101CL-ST-40-6L	VP5101CL-S-40-6L	VP5101CL-F-40-6L

**BUTTERFLY VALVES, TRI-CLAMP®, WITH SINGLE ACTING CANISTER TYPE ACTUATOR
MODEL SU30485**



TUBE	DIMENSIONS ACCORDING TO THE DRAWING				
OD	A	B	C	E	H
1,00"	3,1102"	1,9488"	1,9882"	0,8700"	1,378"
1,50"	3,3465"	2,0669"	1,9882"	1,3700"	1,378"
2,00"	3,9370"	2,3622"	2,5197"	1,8700"	1,4567"
2,50"	4,5276"	2,6575"	3,0512"	2,3700"	1,4960"
3,00"	5,000"	2,8937"	3,5827"	2,8700"	1,5354"
4,00"	6,1417"	3,4646"	4,6850"	3,8425"	1,7717"

Other sizes & face to face available on request.

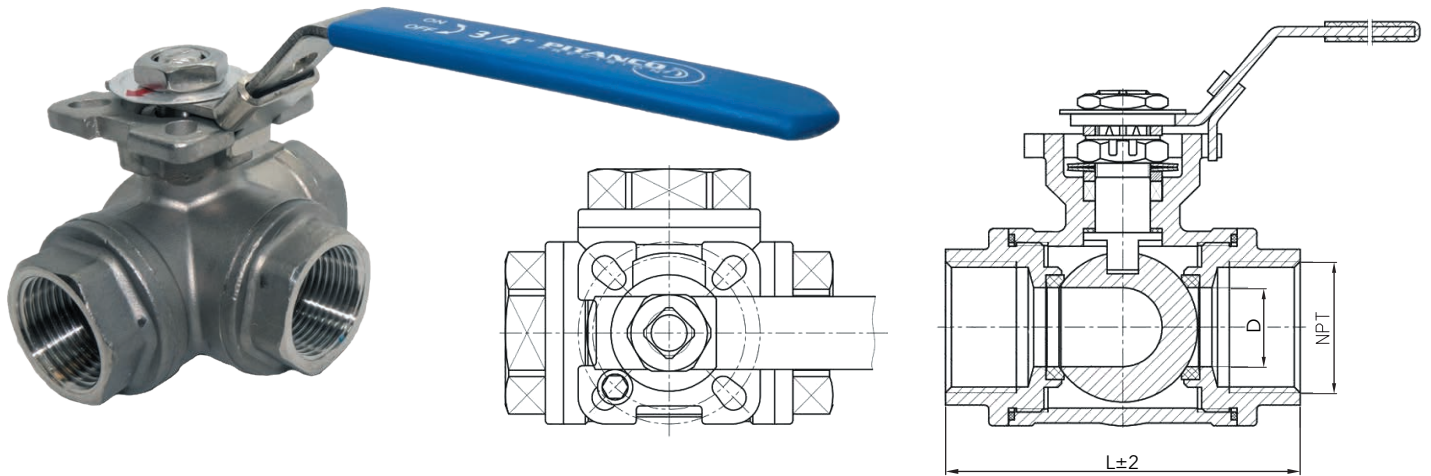
SERIES # BV5101CL/SU30485
Stainless Steel 316L

TUBE	EPDM	CLEAR SILICONE	RED SILICONE	FKM (VITON)
OD	PART #			
1,00"	SU30485SA-10CLE	SU30485SA-10CLST	SU30485SA-10CLS	SU30485SA-10CLF
1,50"	SU30485SA-15CLE	SU30485SA-15CLST	SU30485SA-15CLS	SU30485SA-15CLF
2,00"	SU30485SA-20CLE	SU30485SA-20CLST	SU30485SA-20CLS	SU30485SA-20CLF
2,50"	SU30485SA-25CLE	SU30485SA-25CLST	SU30485SA-25CLS	SU30485SA-25CLF
3,00"	SU30485SA-30CLE	SU30485SA-30CLST	SU30485SA-30CLS	SU30485SA-30CLF
4,00"	SU30485SA-40CLE	SU30485SA-40CLST	SU30485SA-40CLS	SU30485SA-40CLF

VERTICAL CANISTER ACTUATOR AND ASSEMBLY KIT (WITHOUT VALVE)

DESCRIPTION	PART #
Single acting canister for valves 1/2" @ 2"	SU304-085-SA-STYLE 1
Single acting canister for valves 2,50" @ 4"	SU304-085-SA-STYLE 2

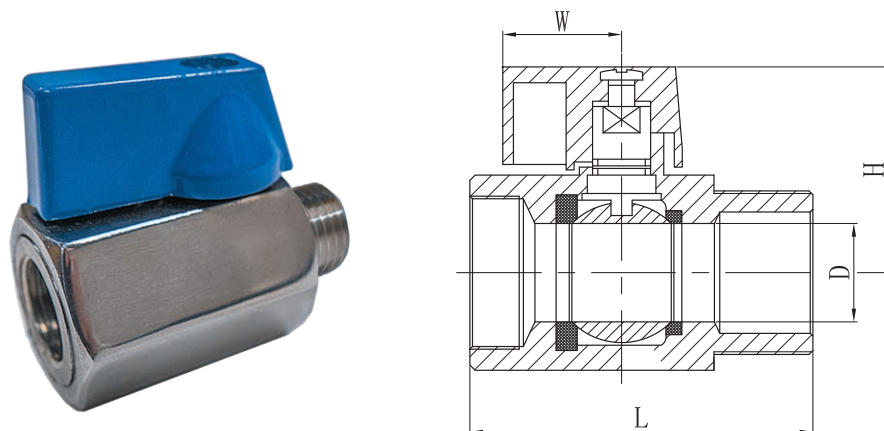
**3 WAY L PORT BALL VALVES, NPT, 1000 WOG, REDUCED PORT, LOCKABLE HANDLE, ISO MOUNT
MODEL BV3W**



TUBE		DRAWING		SERIES # BV3W Stainless Steel 316L	
OD	d	L	PART #		
0,50"	0,3937"	2,7953"	BV3W-050-316L		
0,75"	0,5906"	3,3071"	BV3W-075-316L		
1,00"	0,7087"	3,4646"	BV3W-100-316L		
1,25"	0,9449"	4,6063"	BV3W-125-316L		
1,50"	1,2598"	5,2559"	BV3W-150-316L		
2,00"	1,4961"	5,7874"	BV3W-200-316L		

Other thread available on request.

**MINI BALL VALVES, NPTF x NPTM, 1000 WOG
MODEL MBVSS25**



TUBE		DRAWING			SERIES # MBVSS25 Stainless Steel 304	SERIES # MBVSS25 Stainless Steel 316L
OD	L	D	H	W	PART #	PART #
0,25"	1,6535"	0,2756"	1,0236"	0,9055"	MBVSS25-4	MBVSS25-6L

Other thread available on request.

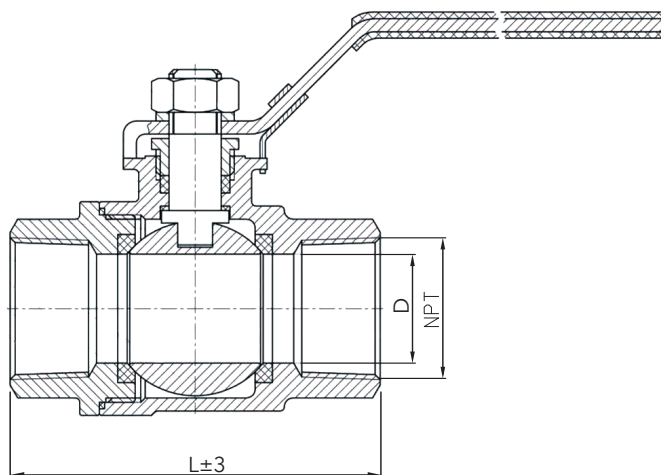
BALL VALVES, NPT, 1000 WOG, FULL PORT, LOCKABLE HANDLE
MODEL R600



SERIES # R600



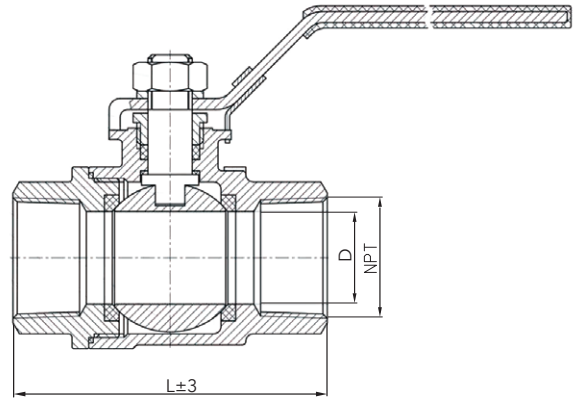
SERIES # R600HD



TUBE		DRAWING		SERIES # R600 Stainless Steel 304	SERIES # R600HD Stainless Steel 316L - HEAVY DUTY
OD	D	L	PART #	PART #	PART #
0,25"	0,3937"	2,1654"	R600-0250-4	R600HD-0250-6L	
0,375"	0,4724"	2,1654"	R600-0375-4	R600HD-0375-6L	
0,50"	0,5906"	2,1654"	R600-0500-4	R600HD-0500-6L	
0,75"	0,7874"	2,4409"	R600-0750-4	R600HD-0750-6L	
1,00"	0,9843"	2,9528"	R600-1000-4	R600HD-1000-6L	
1,25"	1,2598"	3,3661"	R600-1250-4	R600HD-1250-6L	
1,50"	1,4961"	3,8189"	R600-1500-4	R600HD-1500-6L	
2,00"	1,9291"	4,2126"	R600-2000-4	R600HD-2000-6L	
3,00"	3,1102"	6,6535"	R600-3000-4	R600HD-3000-6L	

Other thread available on request.

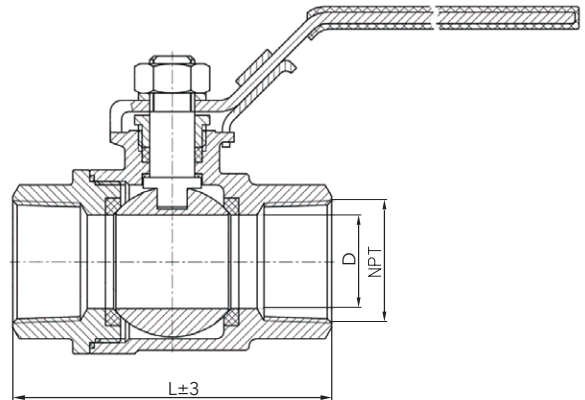
BALL VALVES, NPT, 1000 WOG, FULL PORT, LOCKABLE HANDLE, WITH THREADS 1/4-20
MODEL R601



TUBE		DRAWING		SERIES # R601 Stainless Steel 304	
OD	D	L	PART #		
0,50"	0,5906"	2,2047"	R601-0500-4		
0,75"	0,7874"	2,5984"	R601-0750-4		
1,00"	0,9843"	2,9921"	R601-1000-4		
1,25"	1,2598"	3,2480"	R601-1250-4		
1,50"	1,4961"	3,8189"	R601-1500-4		
2,00"	1,9291"	4,2126"	R601-2000-4		

Other diameters available upon request.

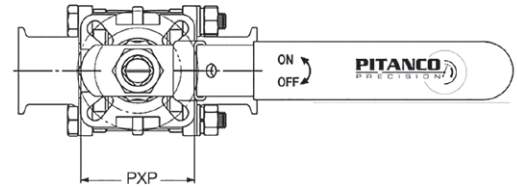
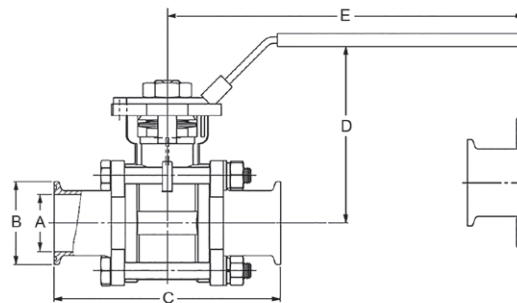
BALL VALVES, NPT, 2000 WOG, FULL PORT, LOCKABLE HANDLE
MODEL R602



TUBE		DRAWING		SERIES # R602 Stainless Steel 304		SERIES # R602 Stainless Steel 316L	
OD	D	L	PART #		PART #		
0,50"	0,5906"	2,9528"	R602-500-4		R602-500-6		
0,75"	0,7874"	3,1496"	R602-750-4		R602-750-6		
1,00"	0,9843"	3,5039"	R602-1000-4		R602-1000-6		
1,25"	1,2598"	4,252"	R602-1250-4		R602-1250-6		
1,50"	1,4961"	4,6850"	R602-1500-4		R602-1500-6		
2,00"	1,9291"	5,4724"	R602-2000-4		R602-2000-6		
2,50"	2,5590"	6,378"	R602-2500-4		R602-2500-6		
3,00"	3,1102"	6,6929"	R602-3000-4		R602-3000-6		

Other diameters available upon request.

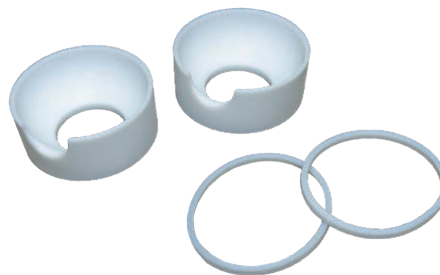
**BALL VALVES, 3 PIECES, TRI-CLAMP®, ENCAPSULATED, 1,000 WOG, FULL PORT,
ISO MOUNT, 3A APPROVED
MODEL R801CL**



TUBE	DRAWING							SERIES # R801CL Stainless Steel 316L
OD	A	B	C	D	E	Torque Inch/Lbs	ISO 5211	PART #
0,50"	0,370"	1,004"	3,563"	2,520"	5,157"	384	F03/F04	R801CL-050-6L
0,75"	0,620"	1,004"	4,071"	2,677"	5,157"	540	F03/F04	R801CL-075-6L
1,00"	0,870"	1,988"	4,496"	3,386"	6,654"	852	F04/F05	R801CL-100-6L
1,50"	1,370"	1,988"	5,382"	4,823"	8,386"	2076	F05/F07	R801CL-150-6L
2,00"	1,870"	2,520"	6,031"	4,823"	8,386"	2760	F05/F07	R801CL-200-6L
2,50"	2,370"	3,051"	6,587"	5,492"	8,386"	5520	F05/F07	R801CL-250-6L
3,00"	2,870"	3,583"	7,571"	6,496"	12,598"	5520	F07/F10	R801CL-300-6L

Other sizes available upon request.

**PTFE (TEFLON) SEATS REPLACEMENT KIT, FDA APPROVED
MODEL RKR801**



TUBE	FOR BALL VALVE R801CL (ENCAPSULATED)
OD	PART #
0,50"	RKR801-050-PTFE
0,75"	RKR801-075-PTFE
1,00"	RKR801-100-PTFE
1,25"	RKR801-125-PTFE
1,50"	RKR801-150-PTFE
2,00"	RKR801-200-PTFE
3,00"	RKR801-300-PTFE

Other sizes available upon request.

BASKET FILTERS, POLISHED # 7
MODEL GLSBT



DESCRIPTION	PART #
Filter Housing and 20 mesh basket, polished #7, SS304	GLSBT-2 x 4 x 10 (2pcs)
Filter basket 20 mesh, polished #7, SS304	GLBT-2 x 4 x 10
Filter Housing, polished #7, SS304	GLFT-2 x 4 x 10

Other materials, sizes and degrees of filtration available on request.

VIBRATION CUSHIONS, POLISHED # 7, 1/2-13 UNC # 275
MODEL VIB275



DESCRIPTION	PART #
Vibration cushion, polished #7, 1/2-13 UNC #275, SS304	VIB275-4

Other sizes available on request.

**FIXED SPRAY BALLS, 180° DOWN, 180° UP OR 360°
MODEL BSTC**



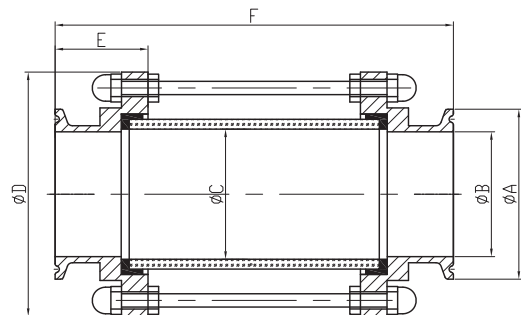
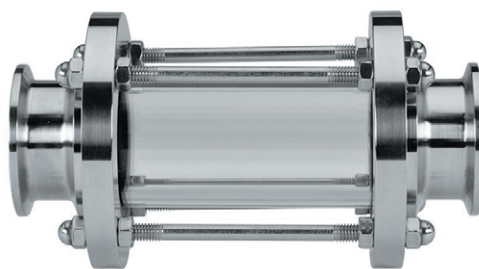
TUBE	SPRAY COVERAGE	SERIES # STC Stainless Steel 316L
OD		PART #
1,00"	180° Down	BSTC-10-180BT-6
1,50"		BSTC-15-180BT-6
2,00"		BSTC-20-180BT-6
1,00"	180° Up	BSTC-10-180TOP-6
1,50"		BSTC-15-180TOP-6
2,00"		BSTC-20-180TOP-6
1,00"	360°	BSTC-10-360-6
1,50"		BSTC-15-360-6
2,00"		BSTC-20-360-6

Other diameters available upon request.

**SIGHT GLASS, TRI-CLAMP®, POLISHED # 7, WITH EPDM BLACK SEAT
MODEL SG**

SPECIFICATIONS

- 5 mm glass
- 200°F maximum
- 87 PSI maximum



TUBE	DRAWING						SERIES # B28W Stainless Steel 316L	REPAIR KIT Includes Borosilicate glass and 2 black EPDM seats
OD	A	B	C	D	E	F	PART #	
1,00"	1,988"	0,870"	0,9449"	3,1102"	1,378"	5,6299"	SG100CL-6L	RKSG-100-EPDM
1,50"	1,988"	1,370"	1,378"	3,3465"	1,378"	5,7480"	SG150CL-6L	RKSG-150-EPDM
2,00"	2,5197"	1,870"	1,9685"	4,1339"	1,4567"	5,9055"	SG200CL-6L	RKSG-200-EPDM
3,00"	3,5827"	2,870"	2,9528"	4,9213"	1,5354"	6,1417"	SG300CL-6L	RKSG-300-EPDM

Other diameters and seat material available on request.

Tubing and Accessories



STAINLESS STEEL TUBING, ANNEALED, LENGTH OF 20', 3A APPROVED
MODEL A270

SURFACE FINISH
32 RA OD / 20 RA ID



TUBE	GAUGE	WALL THICKNESS	SERIES # A270 Stainless Steel 304	SERIES # A270 Stainless Steel 316L
OD			PART #	PART #
0,50"	16	0,065"	A270-050-4**	A270-050-6L**
0,75"	16	0,065"	A270-075-4	A270-075-6L
1,00"	16	0,065"	A270-100-4	A270-100-6L
1,50"	16	0,065"	A270-150-4	A270-150-6L
2,00"	16	0,065"	A270-200-4	A270-200-6L
2,50"	16	0,065"	A270-250-4	A270-250-6L
3,00"	16	0,065"	A270-300-4	A270-300-6L
4,00"	14	0,083"	A270-400-4	A270-400-6L
6,00"	12	0,109"	A270-600-4	
8,00"	12	0,109"	A270-800-4	

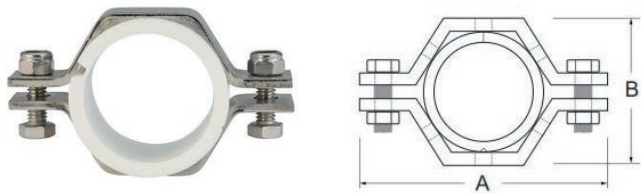
Other diameters available upon request.

**Not-Annealed

TUBING WEIGHTS & OPERATING PRESSURES

304 STAINLESS STEEL TUBE				316L STAINLESS STEEL TUBE			
TUBE	WEIGHT PER FOOT (LBS.)	WORKING PRESSURE (PSI)	BURST PRESSURE (PSI)	TUBE	WEIGHT PER FOOT (LBS.)	WORKING PRESSURE (PSI)	BURST PRESSURE (PSI)
0,50"	0,30	4870	19500	0,50"	0,30	3250	19500
0,75"	0,48	3250	13000	0,75"	0,48	2167	13000
1,00"	0,66	2440	9800	1,00"	0,66	2280	9100
1,50"	1,00	1630	6500	1,50"	1,00	1520	6100
2,00"	1,35	1220	4900	2,00"	1,35	1140	4600
2,50"	1,70	980	3900	2,50"	1,70	910	3600
3,00"	2,05	810	3300	3,00"	2,05	760	3000
4,00"	3,50	780	3100	4,00"	3,50	730	2900
6,00"	6,92	680	2720	6,00"	6,92	635	2540
8,00"	9,30	477	1907	8,00"	9,30	450	1810

HEXAGONAL TUBE HANGERS WITH WHITE PVC INSERT MODEL B24PS



TUBE	DRAWING		SERIES # B24PS Stainless Steel 304
OD	A	B	PART #
0,50"	2,687"	2,000"	P24PS-0.50
0,75"	2,687"	1,562"	P24PS-0.75
1,00"	3,625"	2,125"	P24PS-1.00
1,50"	4,312"	2,625"	P24PS-1.50
2,00"	4,312"	3,125"	P24PS-2.00
2,50"	4,850"	3,125"	P24PS-2.50
3,00"	5,500"	4,250"	P24PS-3.00
4,00"	7,500"	5,625"	P24PS-4.00
6,00"	9,750"	7,375"	P24PS-6.00

Other diameters available upon request.