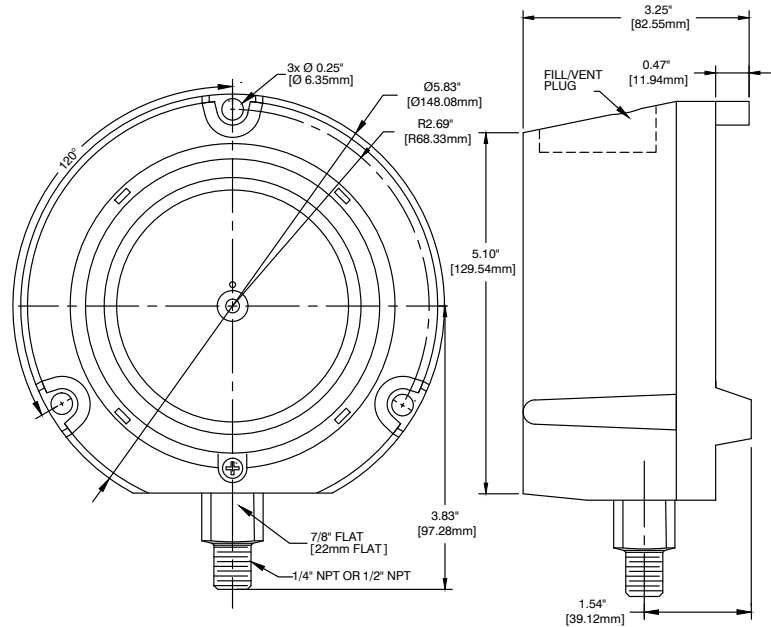


PROCESS GAUGE MODELS 450PB AND 450PSS

Illustrated model: 450PB15



Specifications

Case:	4 ½ in (115 mm), reinforced black thermoplastic
Dial:	White aluminum with psi graduations in black, kPa in blue
Ring:	Reinforced black thermoplastic
Lens:	Acrylic
Pointer:	Black anodized aluminum, micrometer adjustable
Connection:	¼ in nptm or ½ in nptm bottom or lower back mount
Wetted parts:	Brass for PB / 316 stainless steel for PSS
Bourdon tube:	Phosphor bronze for PB / 316 stainless steel for PSS
Maximum process and ambient temperature:	-40 to 200°F / -40 to 93°C dry standard model 32 to 160°F / 0 to 70°C glycerin filled
Operating pressure:	Maximum 75 % of full scale value
Overpressure limit:	25 % over full scale value
Accuracy:	ASME B40.100(B40.1), Grade 2A ± 0.5 %

Applications

Used in refineries, chemical plants, industries, etc. Where operator safety and accuracy are very important factors.

PROCESS GAUGE (CONTINUED)

MODELS 450PB AND 450PSS

To order, use the code in the corresponding column

Size	4 1/2 in (115 mm)		
Case	thermoplastic		
Connection	1/4 in nptm		1/2 in nptm
	bottom brass	bottom 316 stainless steel	
Range			
-30 in Hg to 0 vac/kPa	450PB01	450PSS01	450PSS01-50
-30 in Hg to 15 psi/kPa	450PB02	450PSS02	450PSS02-50
-30 in Hg to 30 psi/kPa	450PB03	450PSS03	450PSS03-50
-30 in Hg to 60 psi/kPa	450PB04	450PSS04	450PSS04-50
-30 in Hg to 100 psi/kPa	450PB05	450PSS05	450PSS05-50
-30 in Hg to 160 psi/kPa	450PB06	450PSS06	450PSS06-50
-30 in Hg to 200 psi/kPa	450PB07	450PSS07	450PSS07-50
-30 in Hg to 300 psi/kPa	450PB08	450PSS08	450PSS08-50
0 to 15 psi/kPa	450PB09	450PSS09	450PSS09-50
0 to 30 psi/kPa	450PB10	450PSS10	450PSS10-50
0 to 60 psi/kPa	450PB11	450PSS11	450PSS11-50
0 to 100 psi/kPa	450PB12	450PSS12	450PSS12-50
0 to 160 psi/kPa	450PB13	450PSS13	450PSS13-50
0 to 200 psi/kPa	450PB14	450PSS14	450PSS14-50
0 to 300 psi/kPa	450PB15	450PSS15	450PSS15-50
0 to 400 psi/kPa	450PB23	450PSS23	450PSS23-50
0 to 600 psi/kPa	450PB16	450PSS16	450PSS16-50
0 to 1,000 psi/kPa	450PB17	450PSS17	450PSS17-50
0 to 1,500 psi/kPa			450PSS18-50
0 to 2,000 psi/kPa	450PB22		450PSS22-50
0 to 3,000 psi/kPa			450PSS19-50
0 to 5,000 psi/kPa			450PSS20-50
0 to 10,000 psi/kPa			450PSS21-50

Connection lower back available upon request.
Standard: dry.