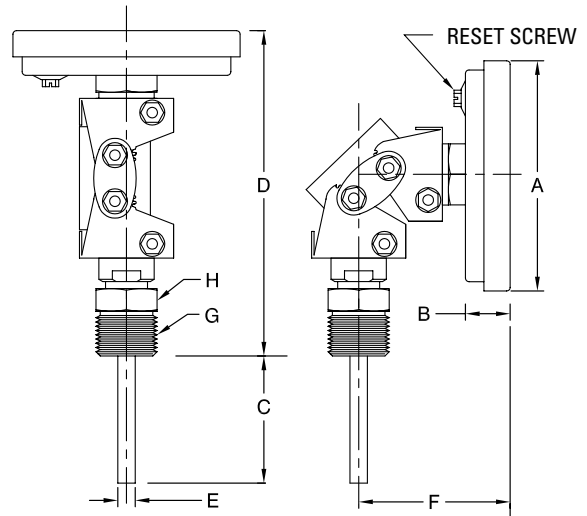
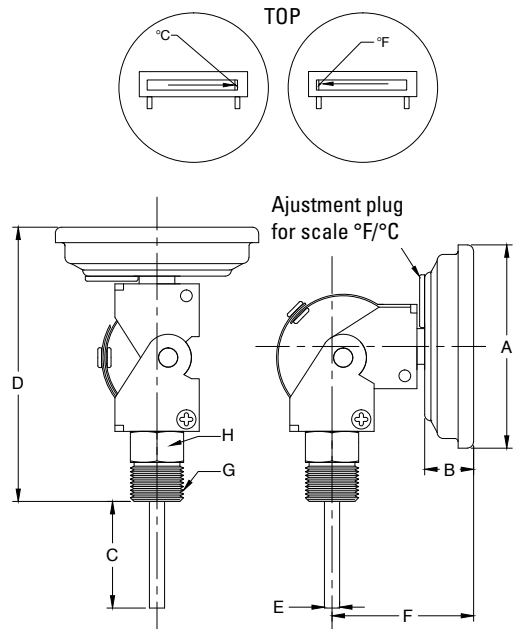


ADJUSTABLE ANGLE BIMETAL THERMOMETER MODELS B3A, B5A AND DIGITAL B3DST

Illustrated model: B540-07A



Illustrated model: B3DST



Specifications

Case:	304 stainless steel, including recalibrator screw located at the back for models B3A and B5A, potentiometer for model B3DST (see drawing)
Dial:	3 in (76 mm), 5 in (127 mm), silver aluminum, graduations °F in black °C in blue, for models B3A and B5A, white aluminum with LCD reading for model B3DST
Ring:	304 stainless steel
Lens:	Polycarbonate hermetically sealed
Pointer:	Balanced black aluminum for B3A and B5A, numerical for B3DST
Movement:	Bimetallic coil for B3A and B5A solar digital for B3DST
Stem:	304 stainless steel, 2 ½ in (63 mm), 4 in (100 mm), 6 in (150 mm) for all models, 9 in (227 mm) and 12 in (300 mm) for B3A and B5A only
Connection:	½ in nptm adjustable angle
Ambient temperature:	-55 to 245 °F/°C
Operating temperature:	Maximum 75 % of full scale value
Accuracy:	ASME B40.200(B40.3), Grade A ± 1 % of the full scale CAN/CGSB - 14.5

Applications

Industrial boilers, food and beverage plants, refineries, chemical plants, HVAC projects, etc. Where a quick and precise reading is required.

**BIMETAL THERMOMETER 3 AND 5 in 304 STAINLESS STEEL
ADJUSTABLE ANGLE
MODELS B3A, B5A AND DIGITAL B3DST**

Dimensions as per diagram

Model	Ø	A	B	C	D	E	F	G	H
B325A	3 in (76 mm)	3.25 in (83 mm)	0.7 in (18 mm)	1.8 in (46 mm)	4.6 in (116 mm)	0.25 in (6.2 mm)	2.13 in (54.2 mm)	½ in nptm	7/8 hex. (22 mm)
B340A	3 in (76 mm)	3.25 in (83 mm)	0.7 in (18 mm)	3.4 in (86 mm)	4.6 in (116 mm)	0.25 in (6.2 mm)	2.13 in (54.2 mm)	½ in nptm	7/8 hex. (22 mm)
B360A	3 in (76 mm)	3.25 in (83 mm)	0.7 in (18 mm)	5.3 in (136 mm)	4.6 in (116 mm)	0.25 in (6.2 mm)	2.13 in (54.2 mm)	½ in nptm	7/8 hex. (22 mm)
B390A	3 in (76 mm)	3.25 in (83 mm)	0.7 in (18 mm)	8.4 in (213 mm)	4.6 in (116 mm)	0.25 in (6.2 mm)	2.13 in (54.2 mm)	½ in nptm	7/8 hex. (22 mm)
B3120A	3 in (76 mm)	3.25 in (83 mm)	0.7 in (18 mm)	11.5 in (292 mm)	4.6 in (116 mm)	0.25 in (6.2 mm)	2.13 in (54.2 mm)	½ in nptm	7/8 hex. (22 mm)
B325DST	3 in (76 mm)	3.28 in (83 mm)	0.8 in (21 mm)	1.7 in (44 mm)	4.4 in (112 mm)	0.25 in (6.2 mm)	2.29 in (58 mm)	½ in nptm	7/8 hex. (22 mm)
B340DST	3 in (76 mm)	3.28 in (83 mm)	0.8 in (21 mm)	3.3 in (84 mm)	4.4 in (112 mm)	0.25 in (6.2 mm)	2.29 in (58 mm)	½ in nptm	7/8 hex. (22 mm)
B360DST	3 in (76 mm)	3.28 in (83 mm)	0.8 in (21 mm)	5.3 in (136 mm)	4.4 in (112 mm)	0.25 in (6.2 mm)	2.29 in (58 mm)	½ in nptm	7/8 hex. (22 mm)
B525A	5 in (127 mm)	5.1 in (130 mm)	0.7 in (18 mm)	1.8 in (46 mm)	4.7 in (118 mm)	0.25 in (6.2 mm)	2.22 in (56.3 mm)	½ in nptm	7/8 hex. (22 mm)
B540A	5 in (127 mm)	5.1 in (130 mm)	0.7 in (18 mm)	3.4 in (86 mm)	4.7 in (118 mm)	0.25 in (6.2 mm)	2.22 in (56.3 mm)	½ in nptm	7/8 hex. (22 mm)
B560A	5 in (127 mm)	5.1 in (130 mm)	0.7 in (18 mm)	5.3 in (136 mm)	4.7 in (118 mm)	0.25 in (6.2 mm)	2.22 in (56.3 mm)	½ in nptm	7/8 hex. (22 mm)
B590A	5 in (127 mm)	5.1 in (130 mm)	0.7 in (18 mm)	8.4 in (213 mm)	4.7 in (118 mm)	0.25 in (6.2 mm)	2.22 in (56.3 mm)	½ in nptm	7/8 hex. (22 mm)
B5120A	5 in (127 mm)	5.1 in (130 mm)	0.7 in (18 mm)	11.4 in (290 mm)	4.7 in (118 mm)	0.25 in (6.2 mm)	2.22 in (56.3 mm)	½ in nptm	7/8 hex. (22 mm)

To order, use the code in the corresponding column

Range	MODEL B3A 3 in (76 mm) Ø adjustable angle stem			
	2 1/2 in (63 mm)	4 in (100 mm)	6 in (150 mm)	12 in (300 mm)
-40 to 160°F / -40 to 70°C	B325-01A	B340-01A	B360-01A	
30 to 240°F / 0 to 115°C	B325-03A	B340-03A	B360-03A	
50 to 300°F / 10 to 150°C	B325-05A	B340-05A	B360-05A	
50 to 500°F / 10 to 260°C	B325-07A	B340-07A	B360-07A	
150 to 750°F / 65 to 400°C	B325-08A			
0 to 250°F / -20 to 120°C	B325-09A	B340-09A	B360-09A	B3120-09A
32 to 140°F / 0 to 60°C	B325-10A	B340-10A	B360-10A	
200 to 1,000°F / 90 to 540°C		B340-11A		B3120-11A

Range	MODEL B5A 5 in (127 mm) Ø adjustable angle stem			
	2 1/2 in (63 mm)	4 in (100 mm)	6 in (150 mm)	12 in (300 mm)
-40 to 160°F / -40 to 70°C	B525-01A	B540-01A	B560-01A	B5120-01A
30 to 240°F / 0 to 115°C	B525-03A	B540-03A	B560-03A	
50 to 300°F / 10 to 150°C	B525-05A	B540-05A	B560-05A	
50 to 500°F / 10 to 260°C	B525-07A	B540-07A	B560-07A	
150 to 750°F / 65 to 400°C			B560-08A	
0 to 250°F / -20 to 120°C	B525-09A	B540-09A	B560-09A	B5120-09A
32 to 140°F / 0 to 60°C	B525-10A	B540-10A	B560-10A	
200 to 1,000°F / 90 to 540°C		B540-11A		B5120-11A

Range	MODEL DIGITAL BDST 3 in (76 mm) Ø adjustable angle stem				
	Diameter	2 1/2 in (63 mm)	4 in (100 mm)	6 in (150 mm)	18 in (450 mm)
-58 to 302°F / -50 to 150°C	3 in (76 mm)	B325DST	B340DST	B360DST	
40 to 140°F / 5 to 60°C	4 in (100 mm)				B4180-13A

Option

Other sizes and models are available upon request.