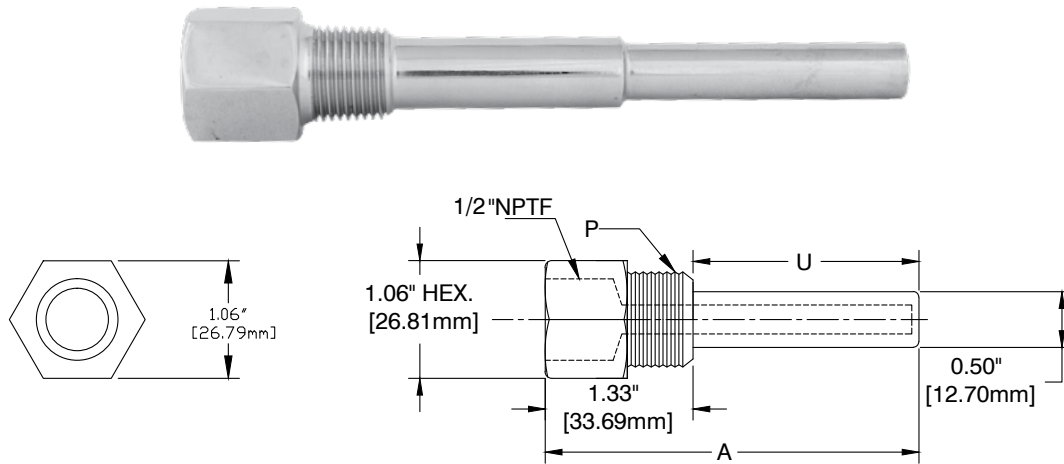


# WELL FOR BIMETAL THERMOMETERS FIXED OR ADJUSTABLE STEM MODEL WEL

Illustrated model: Well for bimetal



## Specifications

Type:	For use with bimetal thermometer B3, B5, B3A, B5A and BDST3 2 1/2 in (63 mm), 4 in (100 mm), 6 in (150 mm), 9 in (225 mm) and 12 in (300 mm) stem
Material:	304 or 316 stainless steel
Connection:	1/2 in nptf for bimetal connection and 1/2 or 3/4 in nptm for process connection (see dimensions chart to select the right choice).

## Applications

For use in commercial, industrial and institutional buildings, as well as hospitals. Used where a separable socket is required.

## Dimensions as per diagram

A	P	Material	U	Model	Product code
2.75 in (69.85 mm)	1/2 in nptm	SS304	1 in (25 mm)	2.5 in (63 mm) stem	WEL-03SS304
2.68 in (68.07 mm)	3/4 in nptm	SS304	1.625 in (41 mm)	2.5 in (63 mm) stem	WEL-03SS304B
2.75 in (69.85 mm)	1/2 in nptm	SS316	1 in (25 mm)	2.5 in (63 mm) stem	WEL-03SS316
4.25 in (108 mm)	1/2 in nptm	SS304	2.5 in (63 mm)	4 in (100 mm) stem	WEL-04SS304
4.25 in (108 mm)	3/4 in nptm	SS304	2.5 in (63 mm)	4 in (100 mm) stem	WEL-04SS304B
4.25 in (108 mm)	1/2 in nptm	SS316	2.5 in (63 mm)	4 in (100 mm) stem	WEL-04SS316
6.25 in (158.75 mm)	1/2 in nptm	SS304	4.5 in (114 mm)	6 in (150 mm) stem	WEL-05SS304
6.25 in (158.75 mm)	3/4 in nptm	SS304	4.5 in (114 mm)	6 in (150 mm) stem	WEL-05SS304B
6.25 in (158.75 mm)	1/2 in nptm	SS316	4.5 in (114 mm)	6 in (150 mm) stem	WEL-05SS316
9.25 in (234.95 mm)	1/2 in nptm	SS304	7.5 in (190.5 mm)	9 in (225 mm) stem	WEL-10SS304
9.25 in (234.95 mm)	1/2 in nptm	SS316	7.5 in (190.5 mm)	9 in (225 mm) stem	WEL-10SS316
12.25 in (311.15 mm)	1/2 in nptm	SS304	10.5 in (266.7 mm)	12 in (300 mm) stem	WEL-11SS304
12.25 in (311.15 mm)	1/2 in nptm	SS316	10.5 in (266.7 mm)	12 in (300 mm) stem	WEL-11SS316

## Option

Other sizes and models are available upon request.