

DPG200 High Accuracy Field Digital Pressure Gauge

DPG200 Digital Pressure Gauge is portable, field digital gauge. With advanced microprocessor technology and state-of-the-art silicon pressure sensors, DPG200 test gauges provide a reliable economic solution for pressure application in the industries of power, chemical, petrol, oil & gas metallurgy, metering, etc. Every DPG200 Digital pressure gauge passes the high and lower temperature aging, so it could assure the products more accurate and reliable.



Applications

- ◇ Water treatment system
- ◇ Water pump and air compressor
- ◇ Mechanical and electrical equipment automation
- ◇ Construction machinery
- ◇ Medical equipment
- ◇ Hydraulic and pneumatic systems
- ◇ Laboratory
- ◇ Test stand

Features:

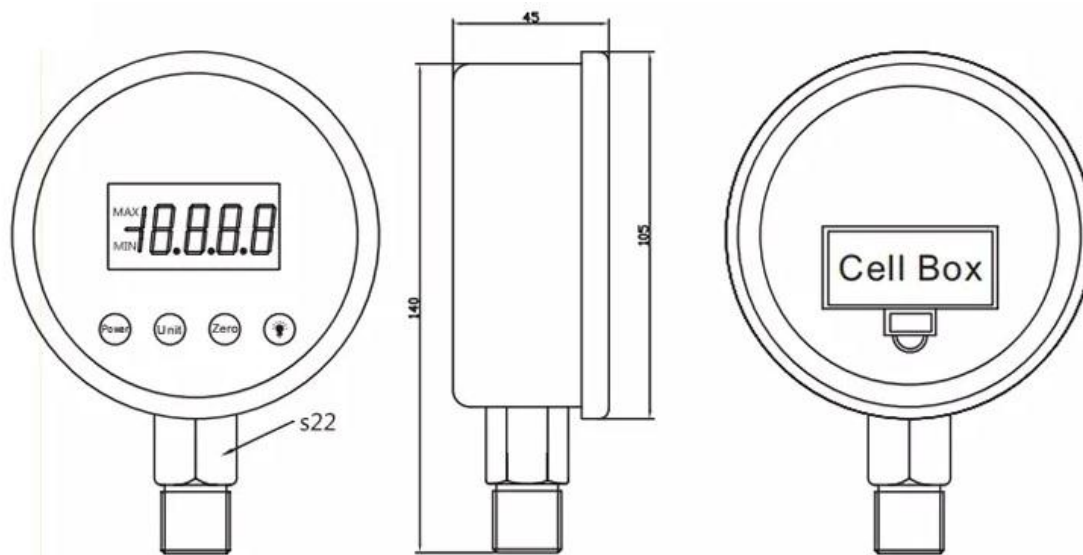
- ◆ Pressure range to 1000bar
- ◆ Accuracy: 0.2%F.S
- ◆ 4 bits big LCD display with Back light,
- ◆ 304 Stainless steel housing
- ◆ Pressure units available (bar,psi , kPa, Kg/cm²,Mpa);
- ◆ Zero clearing, On/off button,
- ◆ Low voltage alarm,
- ◆ Maximum and minimum function
- ◆ Dry-Battery-powered, low power design keeping it work more than 12 months
- ◆ Connection : 1/4NPT, 1/2NPT, G1/4, G1/2

Specification

Range	From vacuum to 1000bar
Over Pressure	Range \geq 10Mpa 150%; Range $<$ 10Mpa 200%
Acc.	\pm 0.2%FS
Size	100mm
Temperature compensation	10~ 30 $^{\circ}$ C

Supply	3V(2 batteries of AAA)
IP rating	IP65
Peak values	Max,min
Display updated rate	5 times/second (or according to client's demand)
Measurement Medium	Gas, water, oil
Pressure Connection	M20*1.5, G1/4, G1/2, NPT1/2, NPT1/4
Connector Material	304SS
Housing Material	304SS
Electric Protection	Reverse protection, anti-electromagnetic interference

Product Size



INTELLIGENT PRESSURE GAUGE (Dial Diameter100mm)